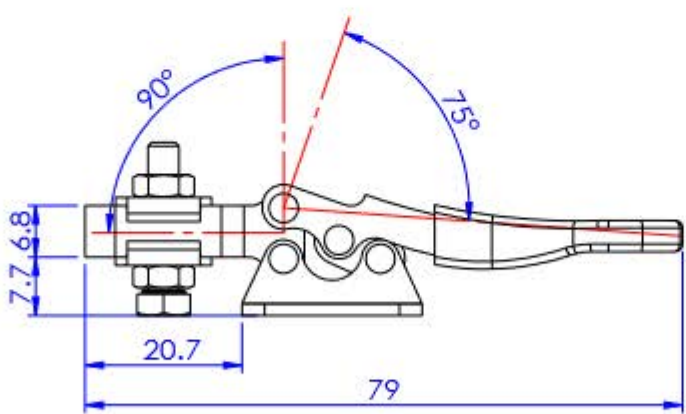
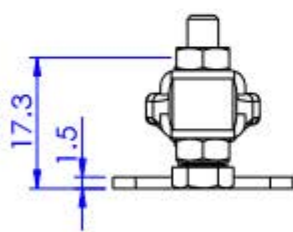
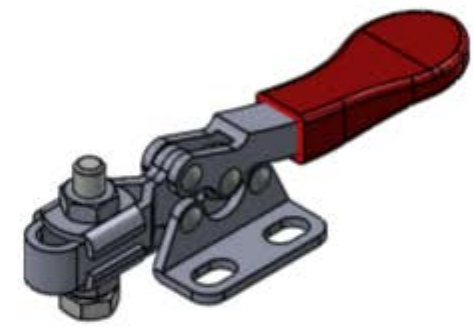
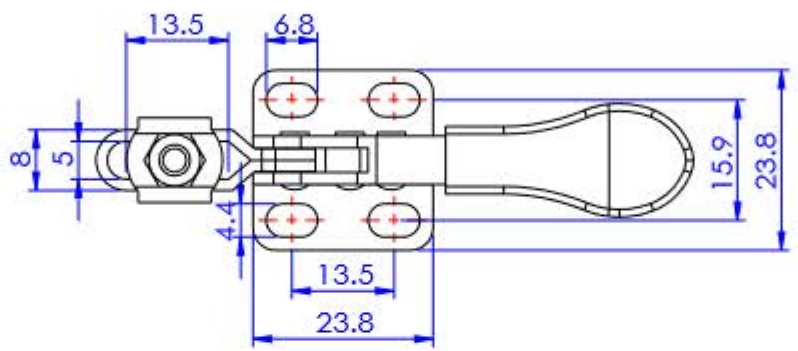


Part No:	GH-201
Holding Capacity:	27Kg
Bar Opens:	90°
Handle Opens:	75°
Weight:	0.03Kg
Spindle Supplied:	SA-042007-BK
Flanged Washers:	FW-080

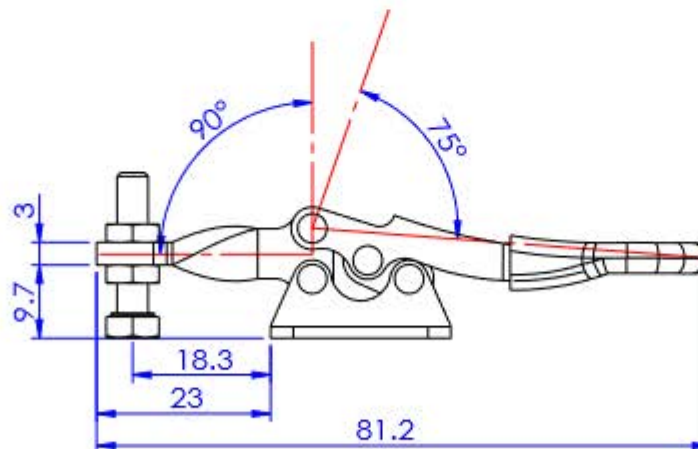
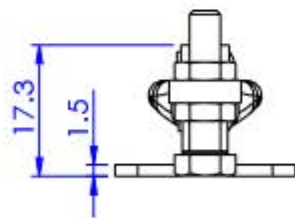
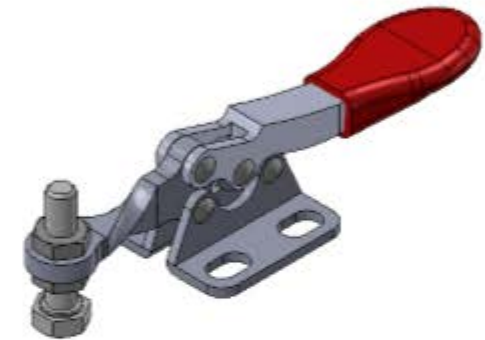
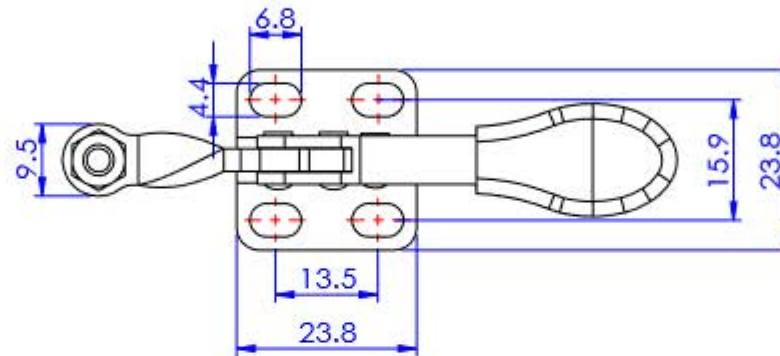


Unit:mm
Scale: 1:1

Good Hand UK Ltd

TITLE:		
DWG NO.	GH-201	A4

Part No:	GH-201-A
Holding Capacity:	27Kg
Bar Opens:	90°
Handle Opens:	75°
Weight:	0.03Kg
Spindle Supplied:	SA-042007-BK



Unit : mm

Scale: 1:1

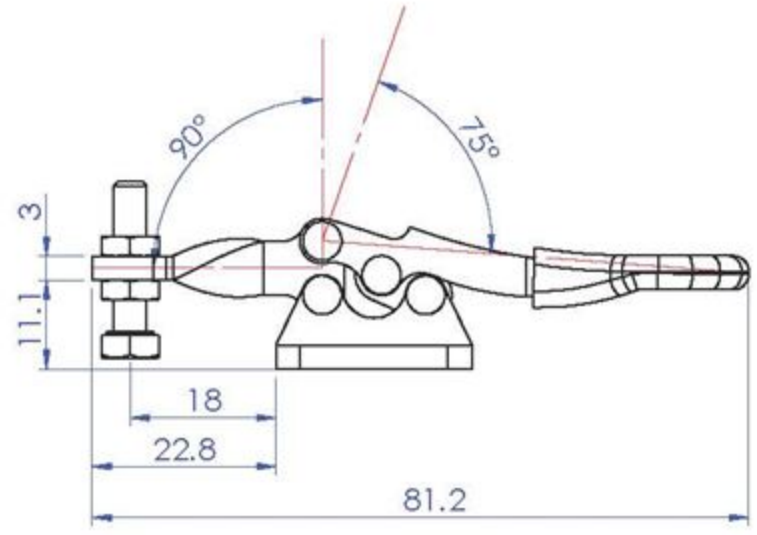
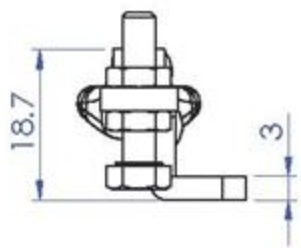
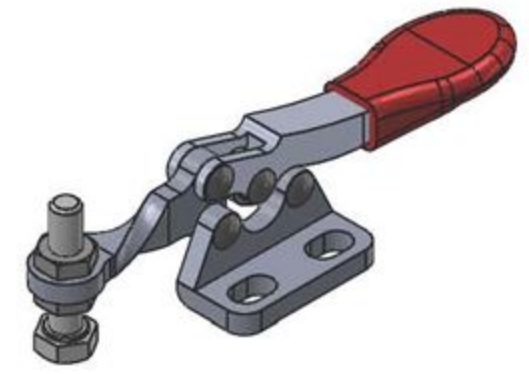
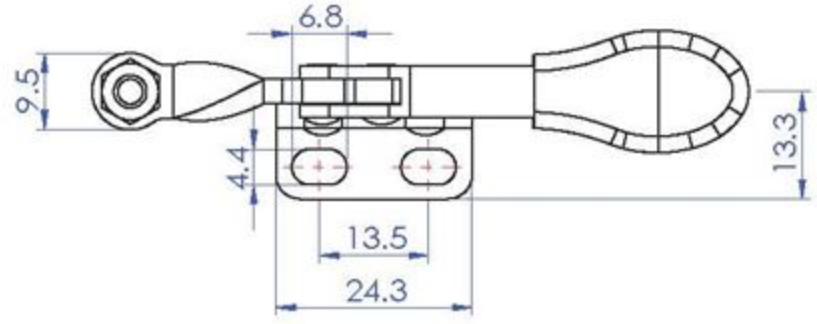
Good Hand UK Ltd

TITLE:

DWG NO. GH-201-A

A4

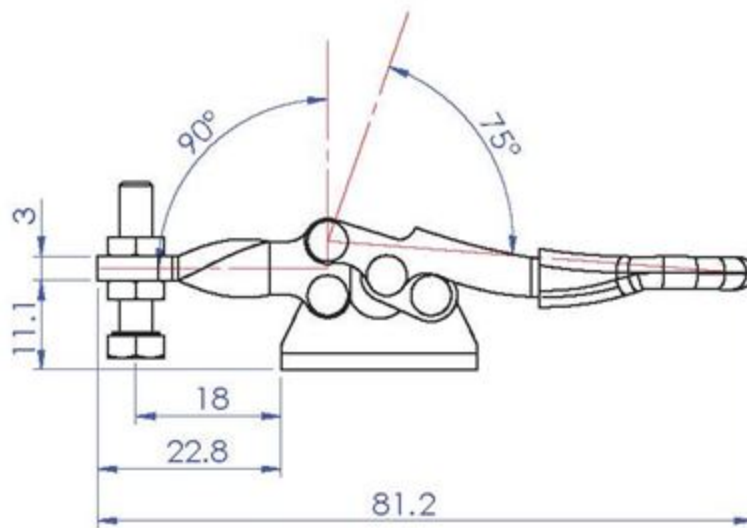
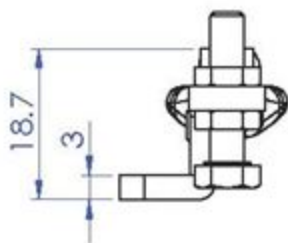
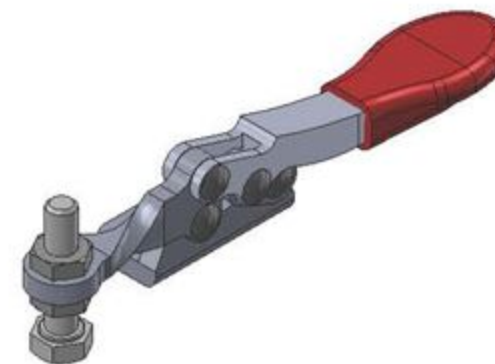
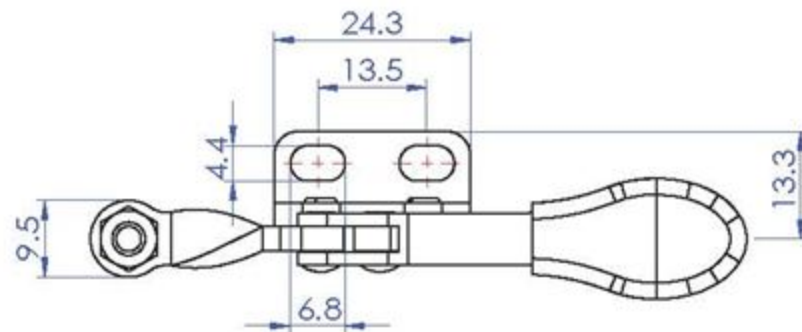
Part No:	GH-201-AL
Holding Capacity:	27Kg
Bar Opens:	90°
Handle Opens:	75°
Weight:	0.03Kg
Spindle Supplied:	SA-08034(Nylon)



Unit:mm
Scale: 1:1

Good Hand UK Ltd	
TITLE:	
DWG NO.	GH-201-AL
	A4

Part No:	GH-201-AR
Holding Capacity:	27Kg
Bar Opens:	90°
Handle Opens:	75°
Weight:	0.03Kg
Spindle Supplied:	SA-08034(Nylon)



Unit:mm

Scale: 1:1

Good Hand UK Ltd

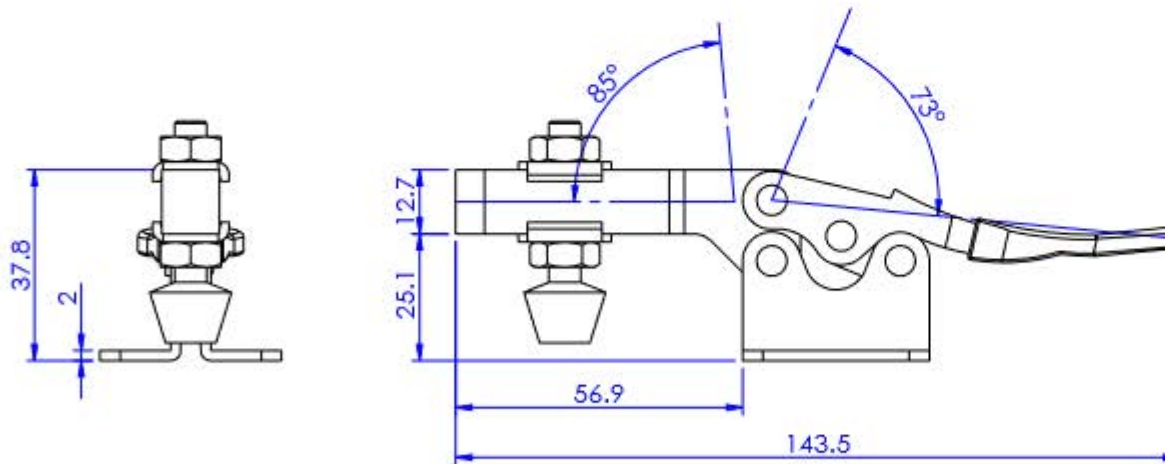
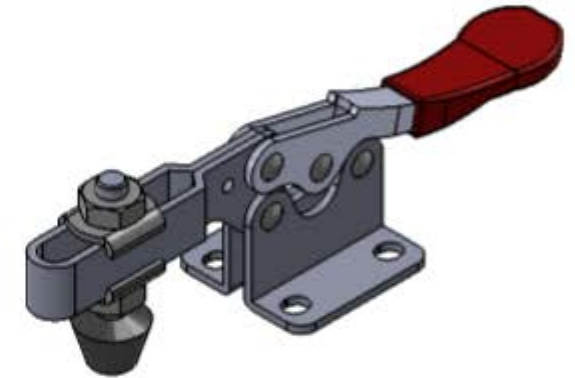
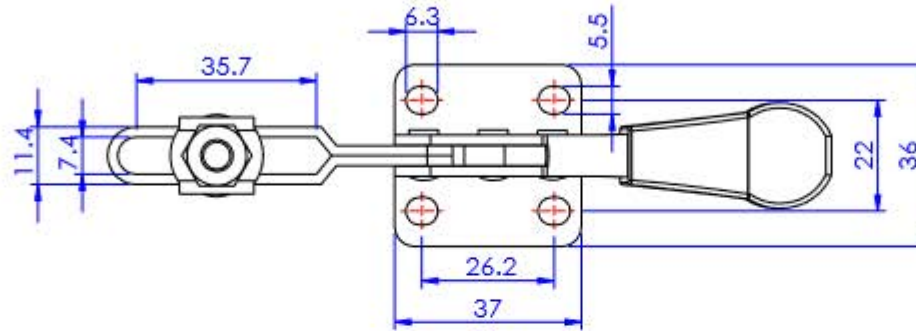
TITLE:

DWG NO.

GH-201-AR

A4

Part No:	GH-201-B
Holding Capacity:	90Kg
Bar Opens:	85°
Handle Opens:	73°
Weight:	0.13Kg
Spindle Supplied:	FC-064410
Flanged Washers:	FW-140



Unit:mm
Scale: 1:1.5

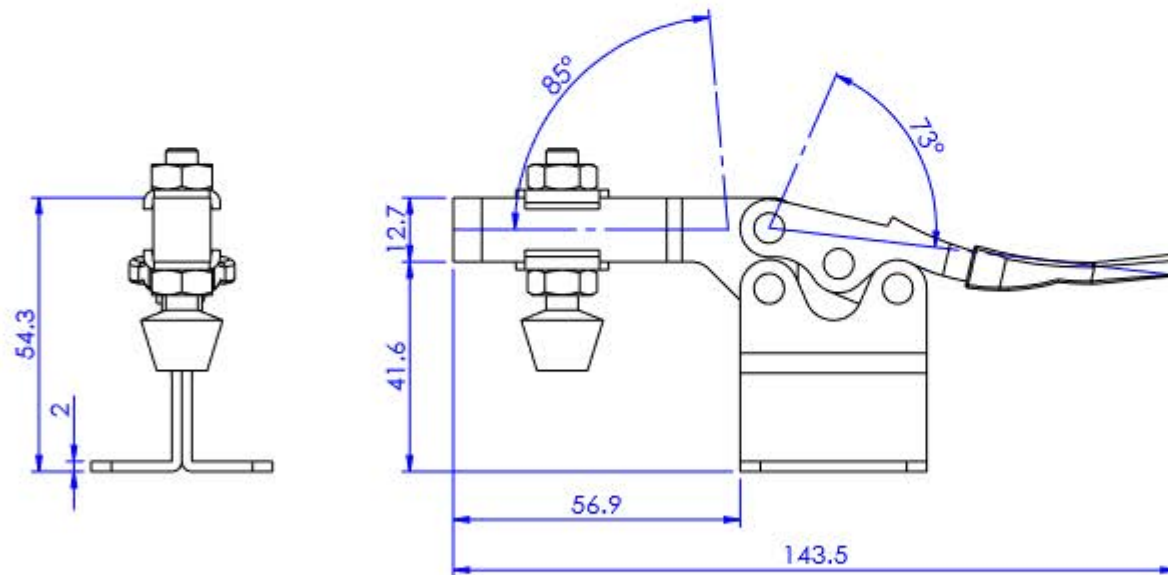
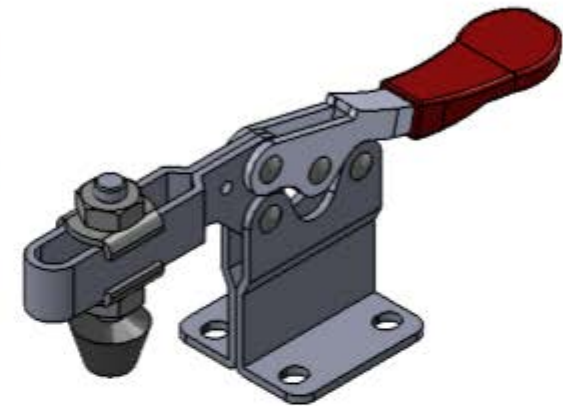
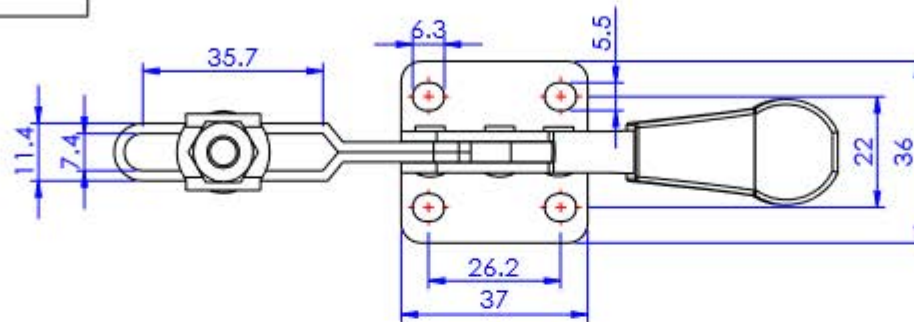
Good Hand UK Ltd

TITLE:

DWG NO. GH-201-B

A4

Part No:	GH-201-BHB
Holding Capacity:	90Kg
Bar Opens:	85°
Handle Opens:	73°
Weight:	0.145Kg
Spindle Supplied:	FC-064410
Flanged Washers:	FW-140



Unit:mm
Scale: 1:1.5

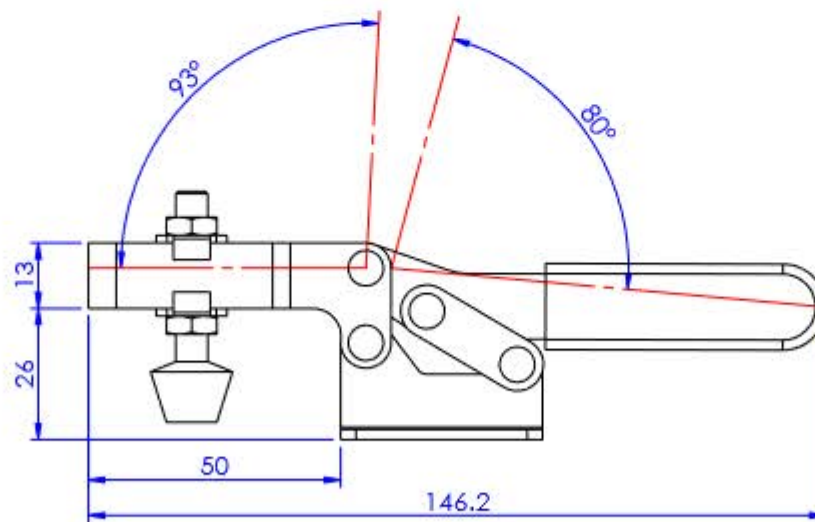
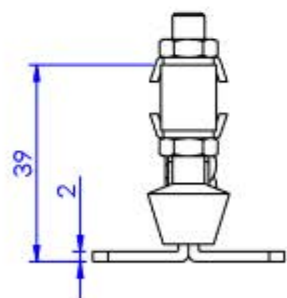
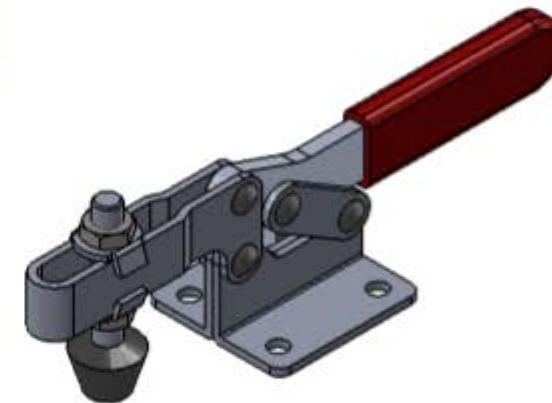
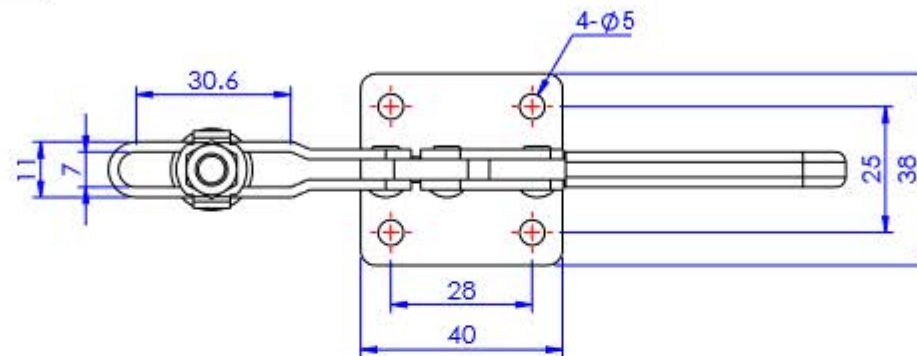
Good Hand UK Ltd

TITLE:

DWG NO. GH-201-BHB

A4

Part No:	GH-201-C
Holding Capacity:	100Kg
Bar Opens:	93°
Handle Opens:	80°
Weight:	0.14Kg
Spindle Supplied:	FC-064410
Flanged Washers:	FW-140



Unit:mm
Scale : 1:1.5

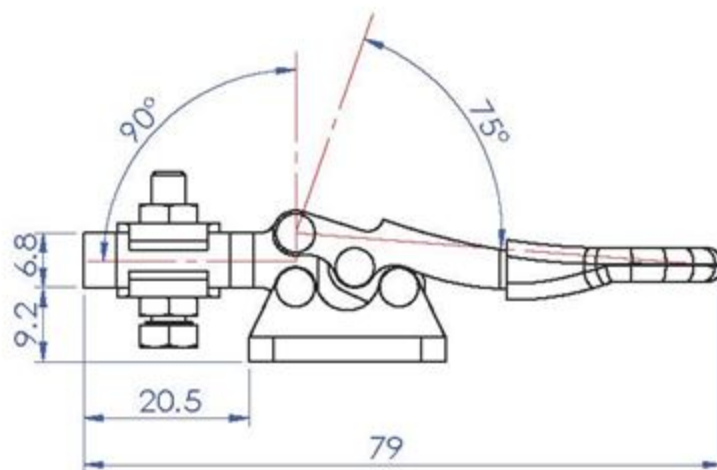
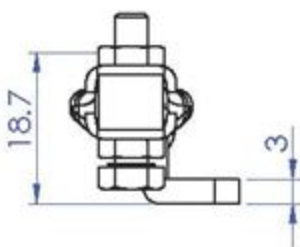
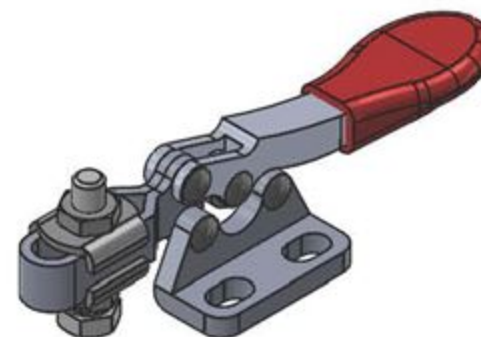
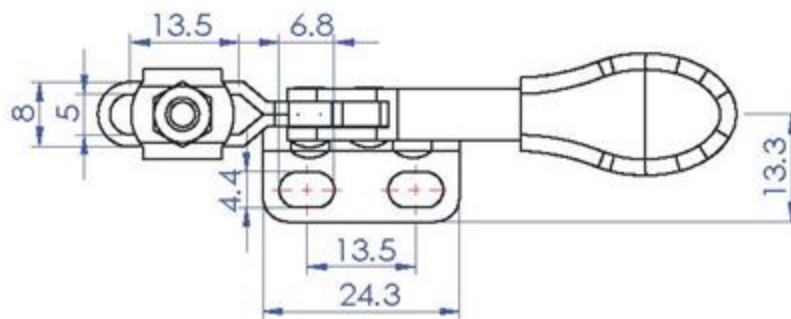
Good Hand UK Ltd

TITLE:

DWG NO. GH-201-C

A4

Part No:	GH-201-L
Holding Capacity:	27Kg
Bar Opens:	90°
Handle Opens:	75°
Weight:	0.03Kg
Spindle Supplied:	SA-08034(Nylon)
Flanged Washers:	FW-080



Unit:mm

Scale: 1:1

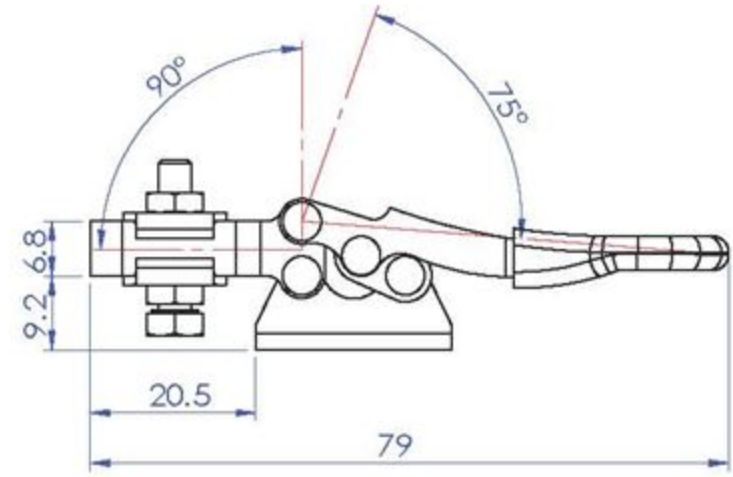
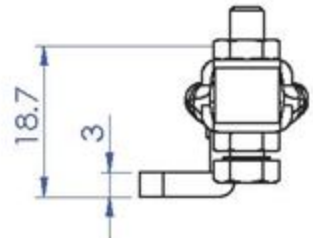
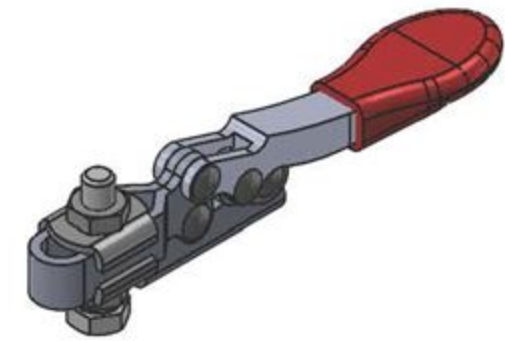
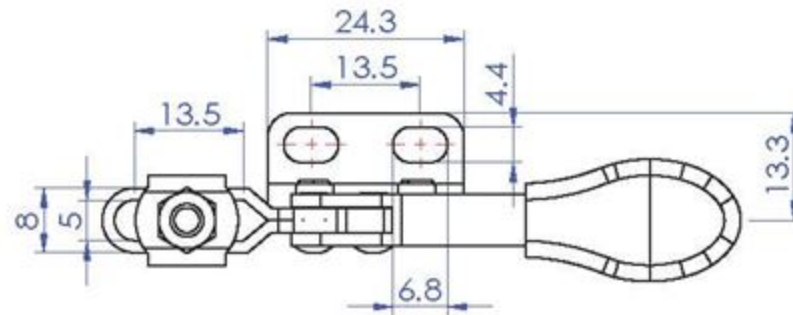
Good Hand UK Ltd

TITLE:

DWG NO. GH-201-L

A4

Part No:	GH-201-R
Holding Capacity:	27Kg
Bar Opens:	90°
Handle Opens:	75°
Weight:	0.03Kg
Spindle Supplied:	SA-08034(Nylon)
Flanged Washers:	FW-080



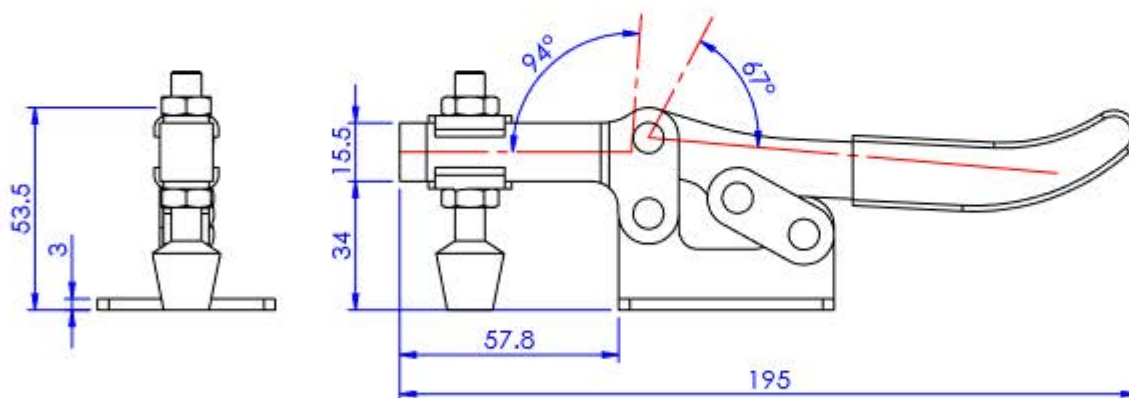
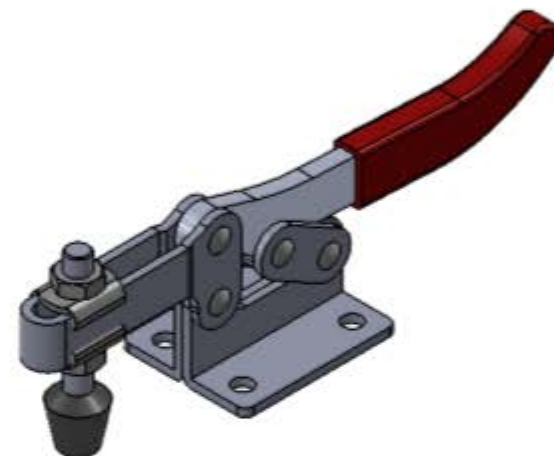
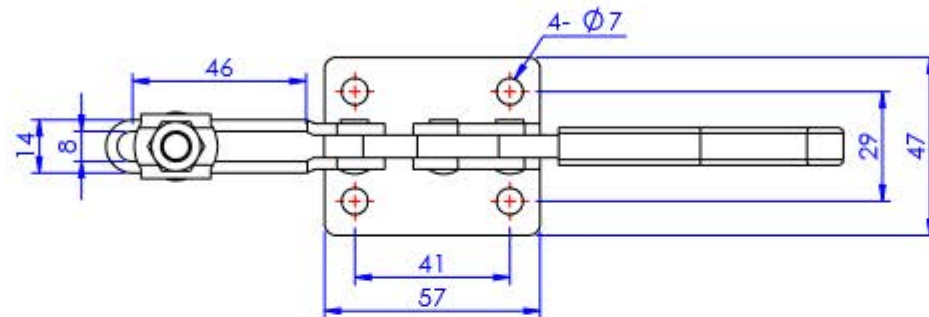
Unit:mm

Scale: 1:1

Good Hand UK Ltd

TITLE:		
DWG NO.	GH-201-R	A4

Part No:	GH-203-F
Holding Capacity:	227Kg
Bar Opens:	94°
Handle Opens:	67°
Weight:	0.35Kg
Spindle Supplied:	FC-086312
Flanged Washers:	FW-516



Unit:mm
Scale : 1:2

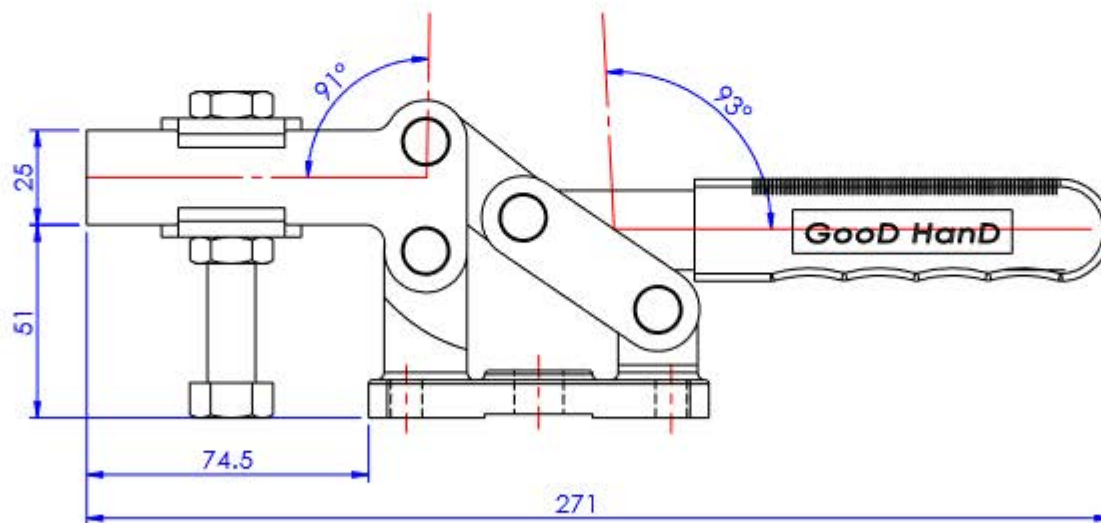
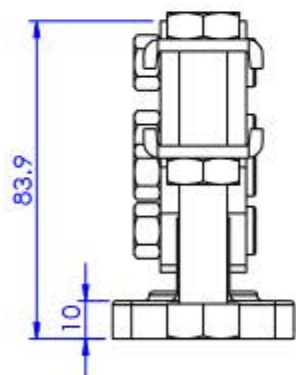
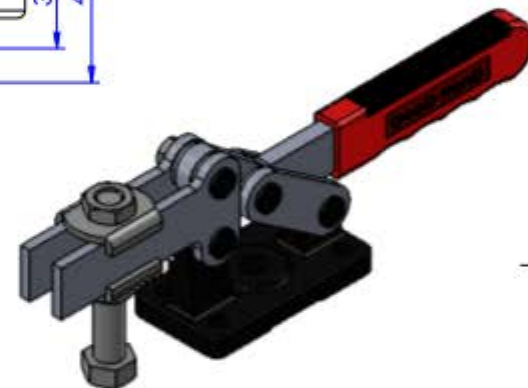
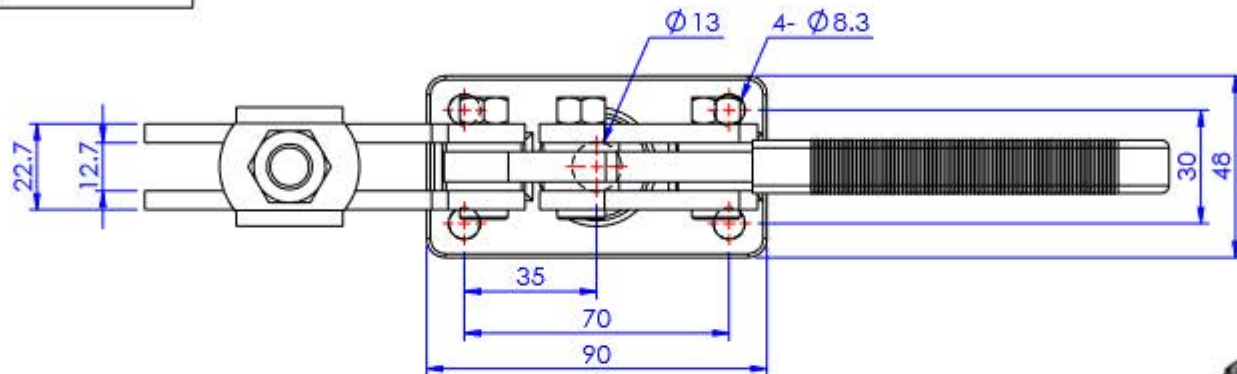
Good Hand UK Ltd

TITLE:

DWG NO. GH-203-F

A4

Part No:	GH-204-G
Holding Capacity:	636Kg
Bar Opens:	91°
Handle Opens:	93°
Weight:	1.225Kg
Spindle Supplied:	SA-121017
Flanged Washers:	FW-120



Unit:mm
Scale : 1:2

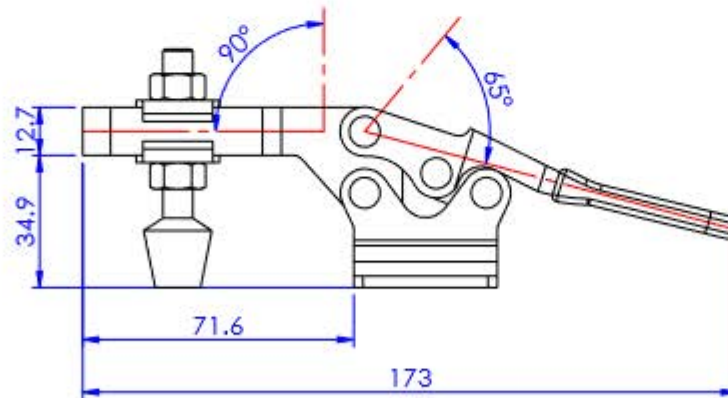
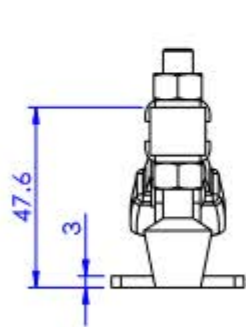
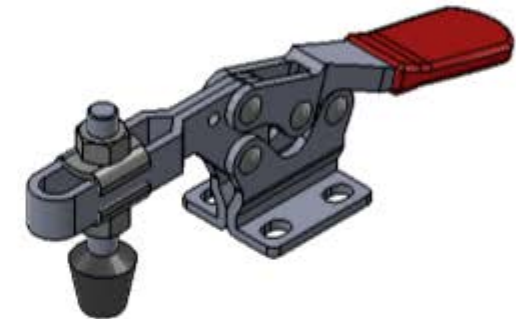
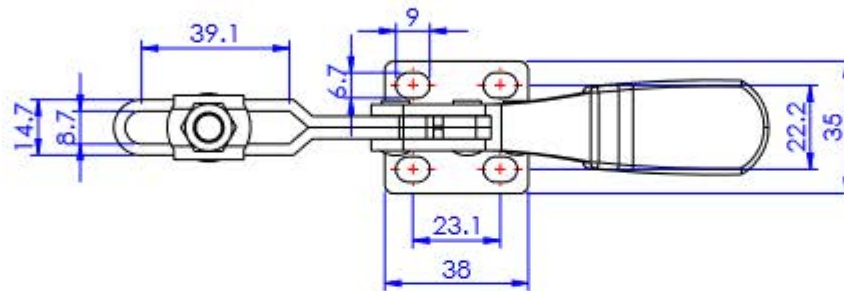
Good Hand UK Ltd

TITLE:

DWG NO. GH-204-G

A4

Part No:	GH-225-D
Holding Capacity:	227Kg
Bar Opens:	90°
Handle Opens:	65°
Weight:	0.26Kg
Spindle Supplied:	FC-086312
Flanged Washers:	FW-516



Unit:mm
Scale: 1:2

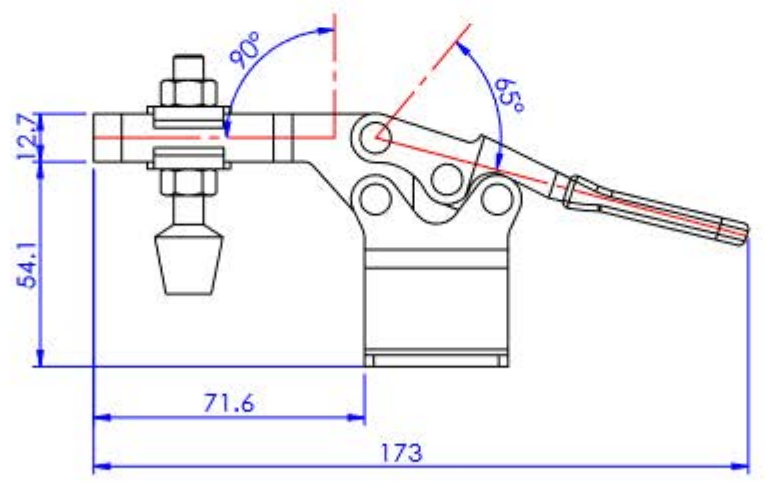
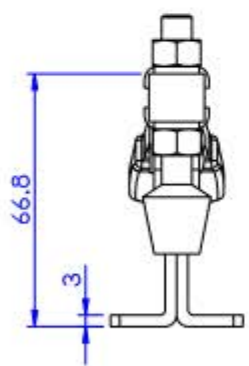
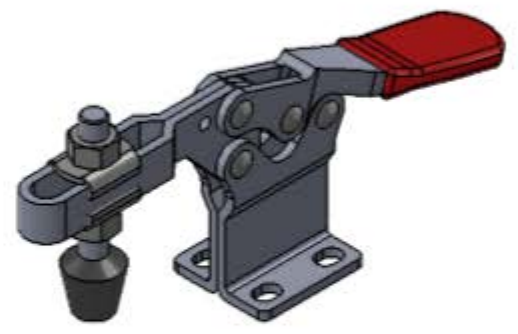
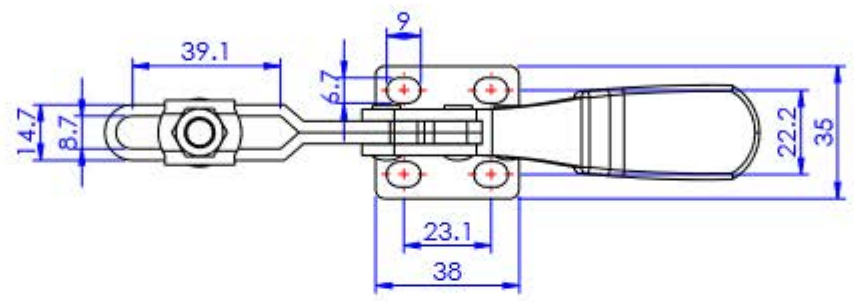
Good Hand UK Ltd

TITLE:

DWG NO. GH-225-D

A4

Part No:	GH-225-DHB
Holding Capacity:	227Kg
Bar Opens:	90°
Handle Opens:	65°
Weight:	0.287Kg
Spindle Supplied:	FC-086312
Flanged Washers:	FW-516

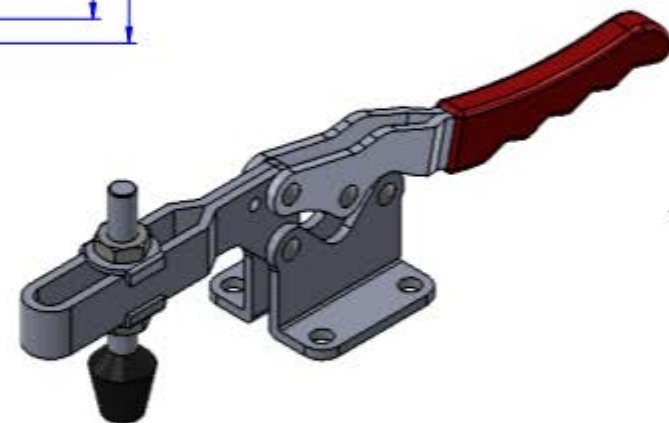
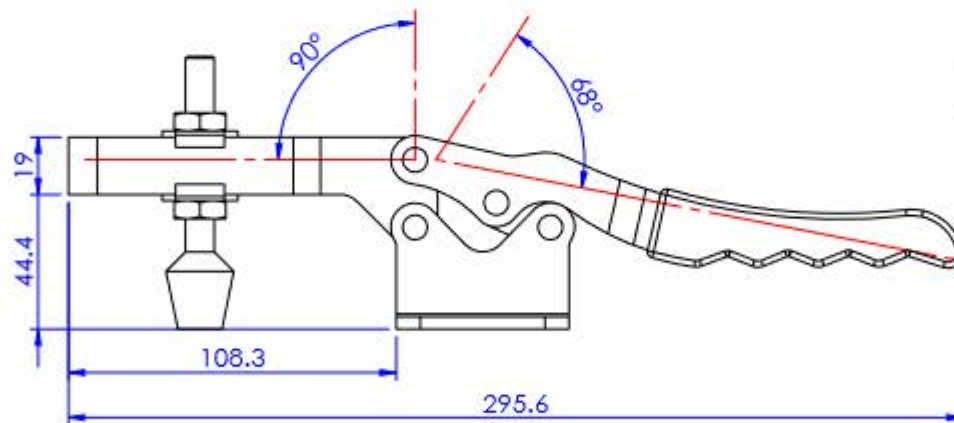
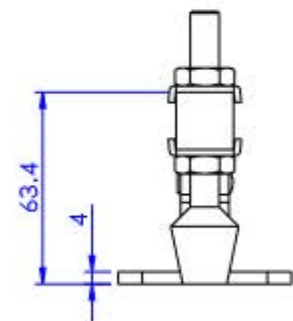
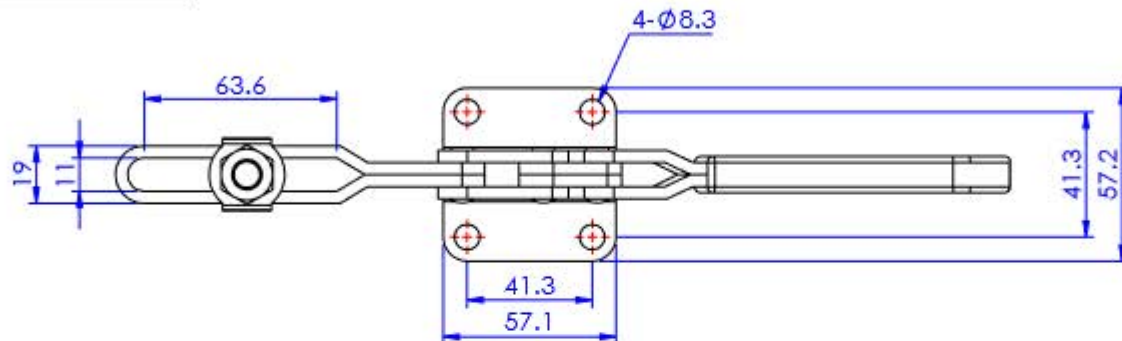


Unit:mm
Scale: 1:2

Good Hand UK Ltd

TITLE:		
DWG NO.	GH-225-DHB	A4

Part No:	GH-20235
Holding Capacity:	340Kg
Bar Opens:	90°
Handle Opens:	68°
Weight:	0.61Kg
Spindle Supplied:	FC-108515
Flanged Washers:	FW-380



Unit:mm
Scale : 1:2.5

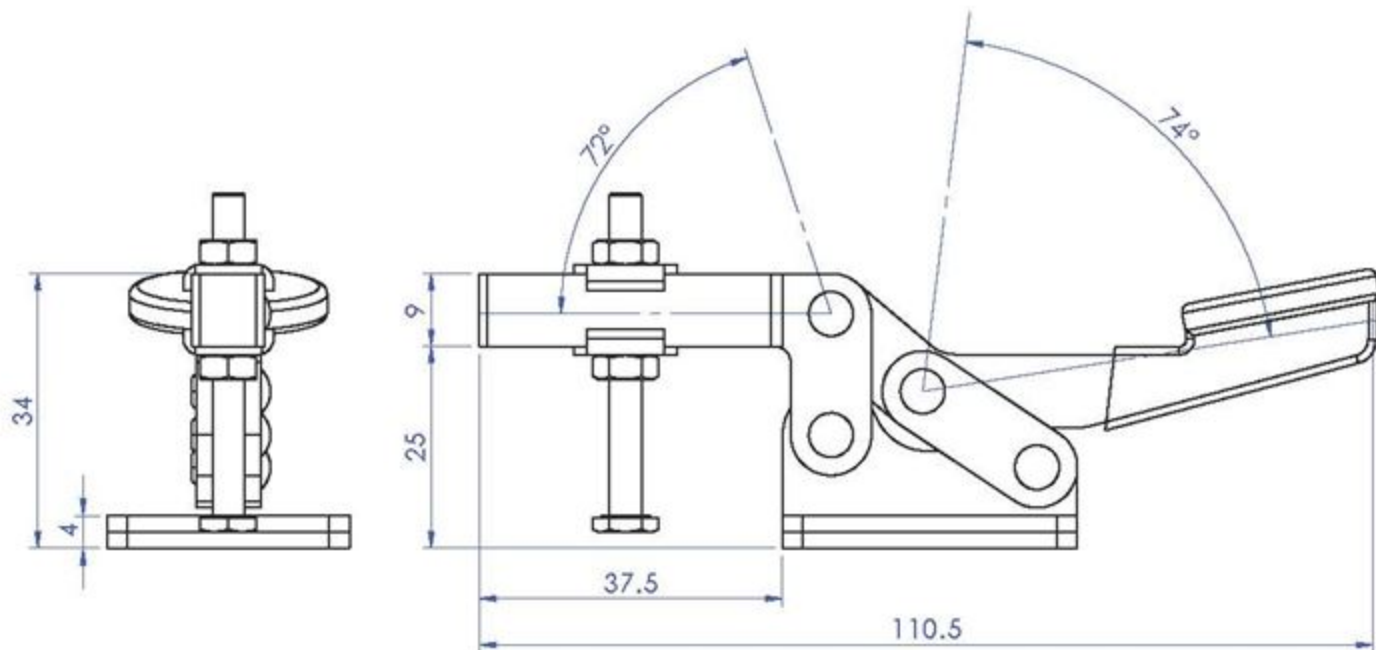
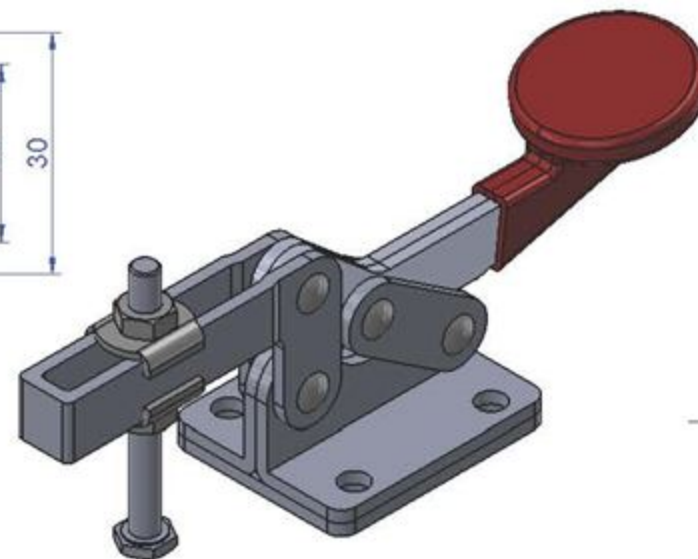
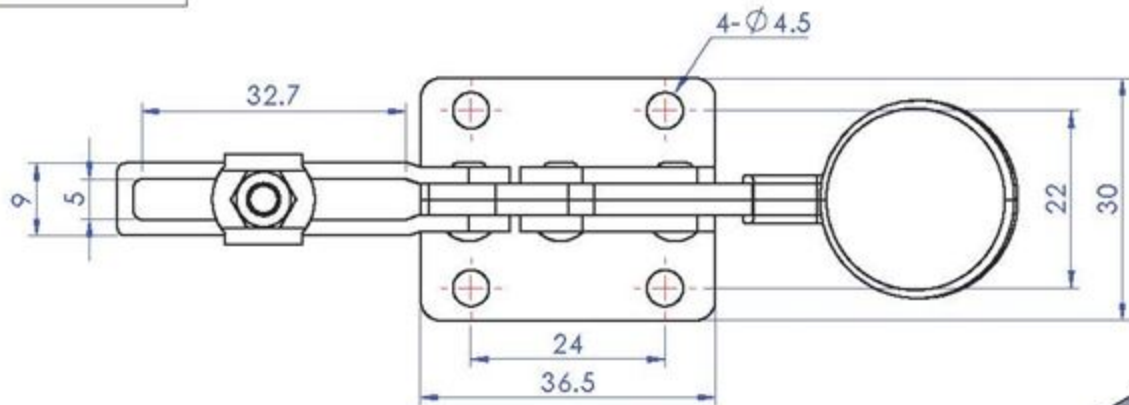
Good Hand UK Ltd

TITLE:

DWG NO. GH-20235

A4

Part No:	GH-20300
Holding Capacity:	30Kg
Bar Opens:	72°
Handle Opens:	74°
Weight:	0.102Kg
Spindle Supplied:	SA-044007
Flanged Washers:	FW-100



Unit:mm
Scale : 1:1

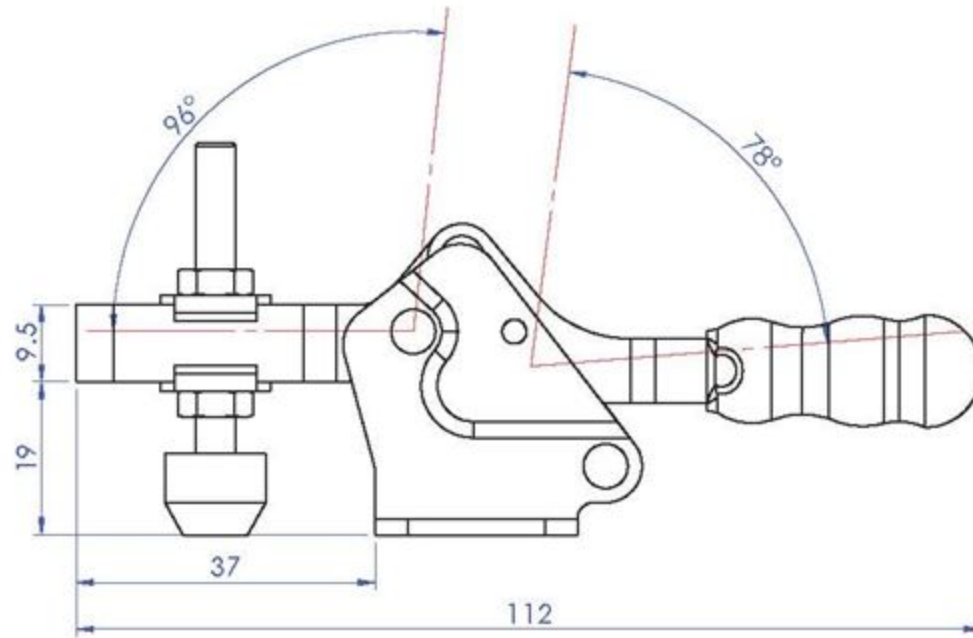
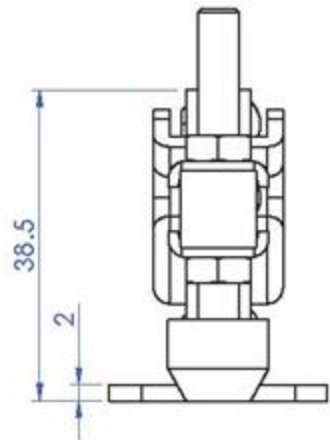
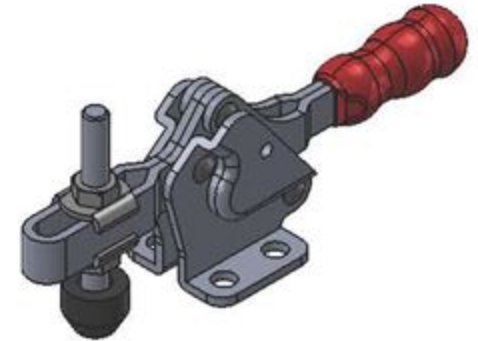
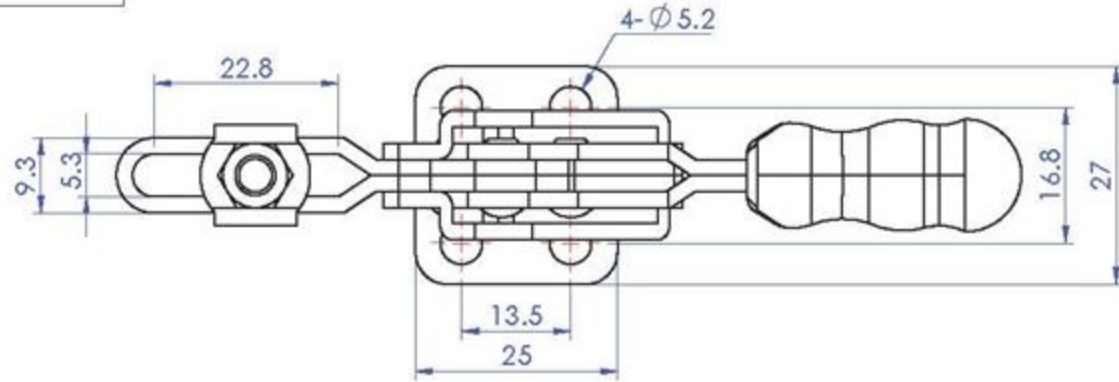
Good Hand UK Ltd

TITLE:

DWG NO. GH-20300

A4

Part No:	GH-20752-B
Holding Capacity:	75Kg
Bar Opens:	96°
Handle Opens:	78°
Weight:	0.091Kg
Spindle Supplied:	SA-054008+NC-05
Flanged Washers:	FW-100



Unit:mm
Scale: 1:1

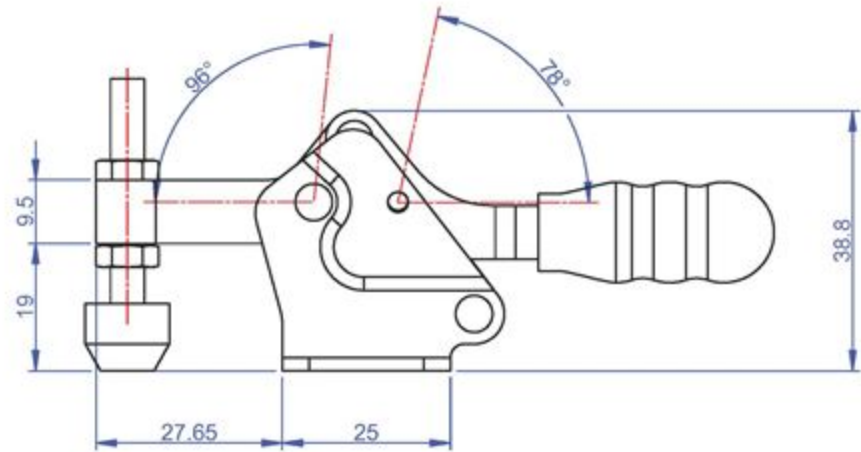
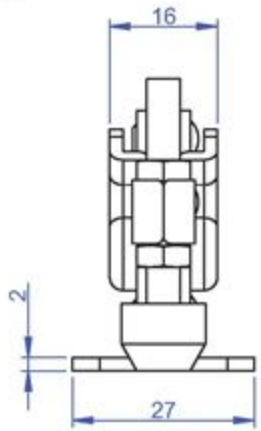
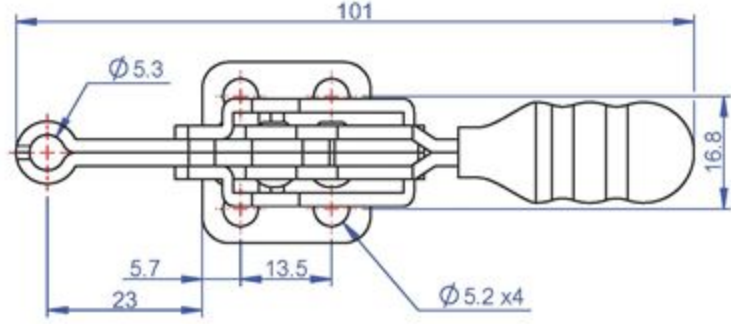
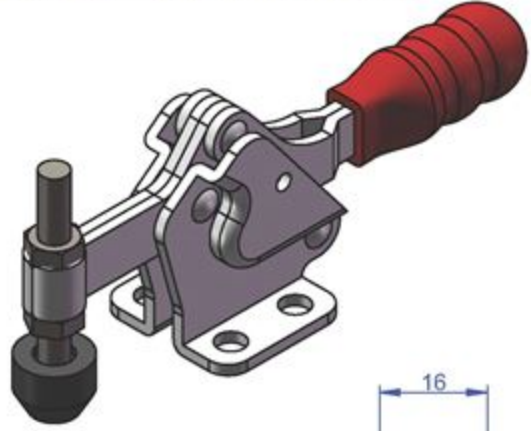
Good Hand UK Ltd

TITLE:

DWG NO. GH-20752-B

A4

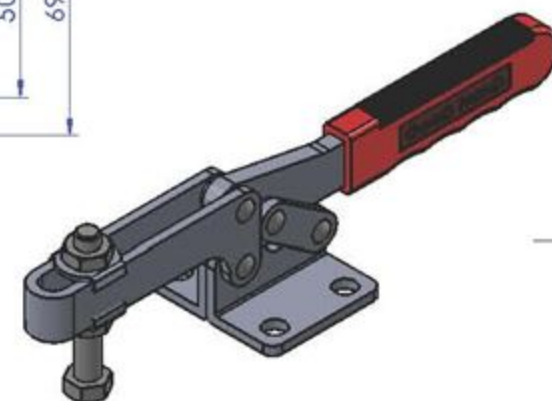
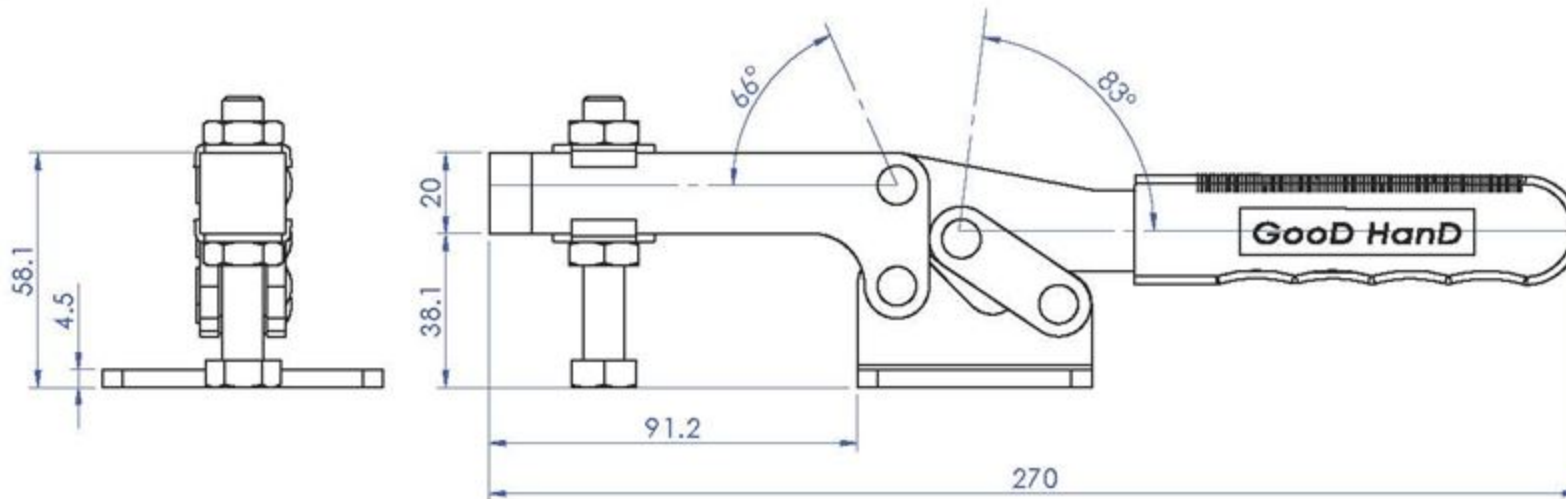
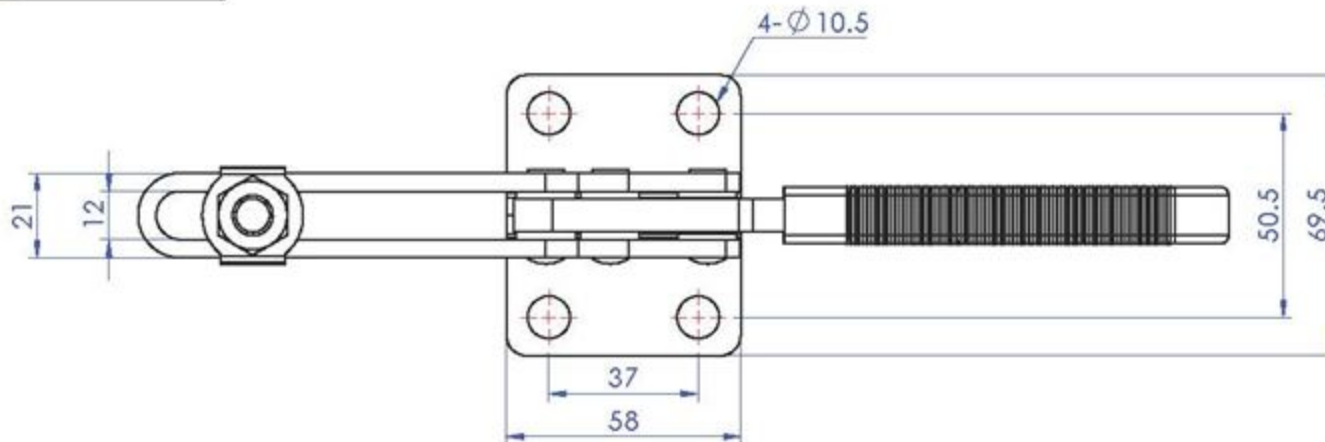
Part No:	GH-20752-C
Holding Capacity:	75 Kg
Bar Opens:	96°
Handle Opens:	78°
Weight:	0.09 Kg
Spindle Supplied:	SA-053508+NC-05



Good Hand UK Ltd	
TITLE:	
DWG NO.	GH-20752-C
	A4

Drawing Scale: 1:1
Unit: mm

Part No:	GH-21384
Holding Capacity:	500Kg
Bar Opens:	66°
Handle Opens:	83°
Weight:	0.74Kg
Spindle Supplied:	SA-106515
Flanged Washers:	FW-121



Unit:mm
Scale : 1:2

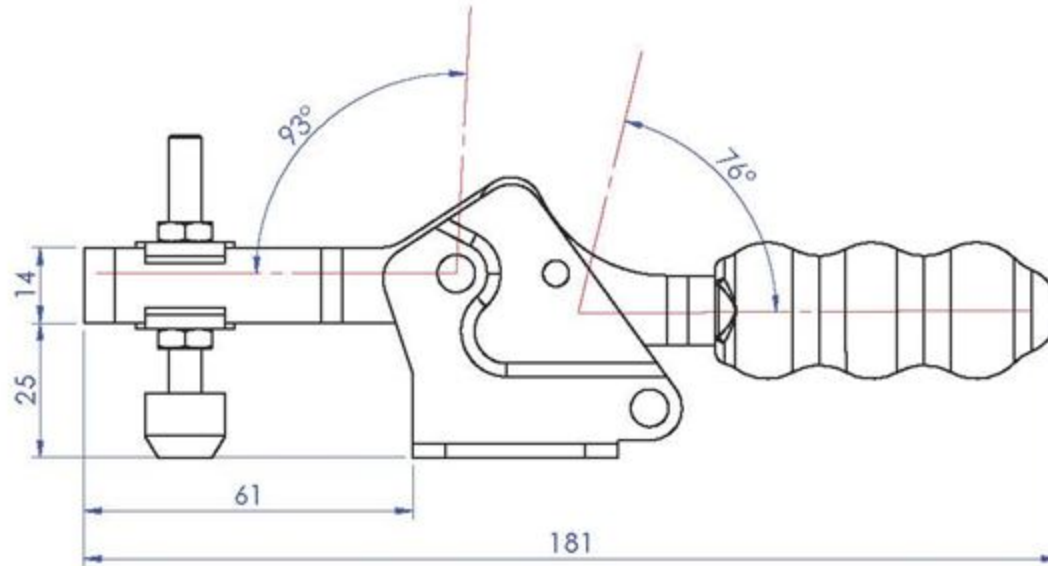
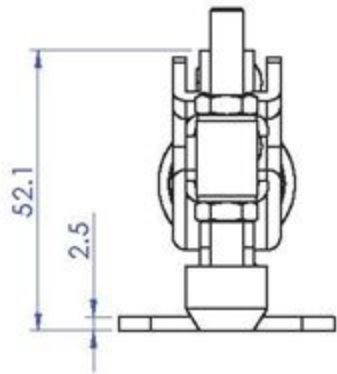
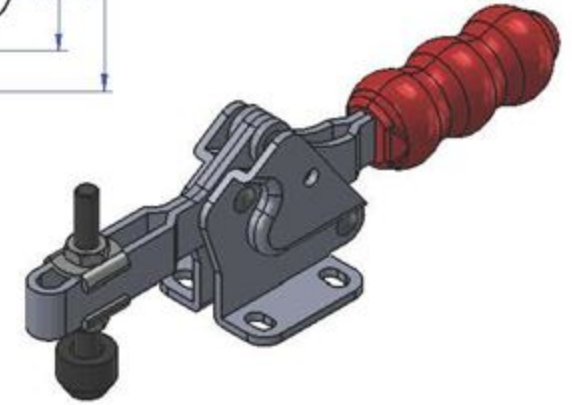
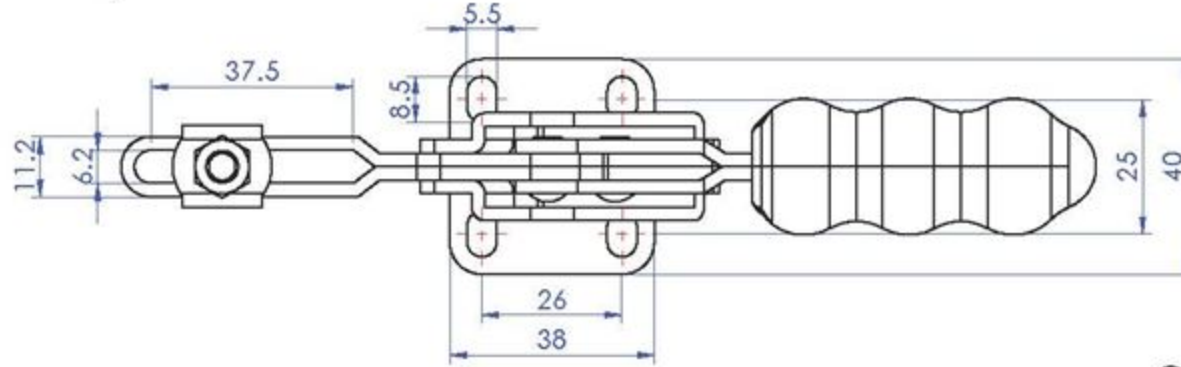
Good Hand UK Ltd

TITLE:

DWG NO. GH-21384

A4

Part No:	GH-21502-B
Holding Capacity:	150Kg
Bar Opens:	93°
Handle Opens:	76°
Weight:	0.245Kg
Spindle Supplied:	SA-065010+NC-06
Flanged Washers:	FW-140



Unit:mm
Scale: 1:1.5

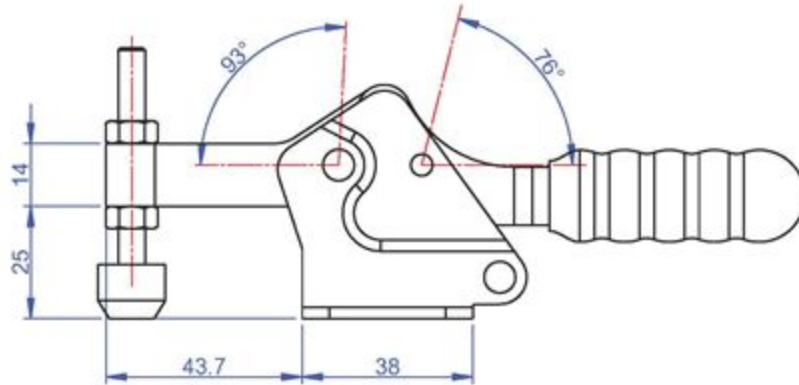
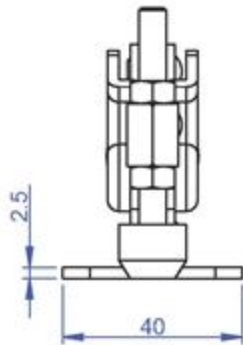
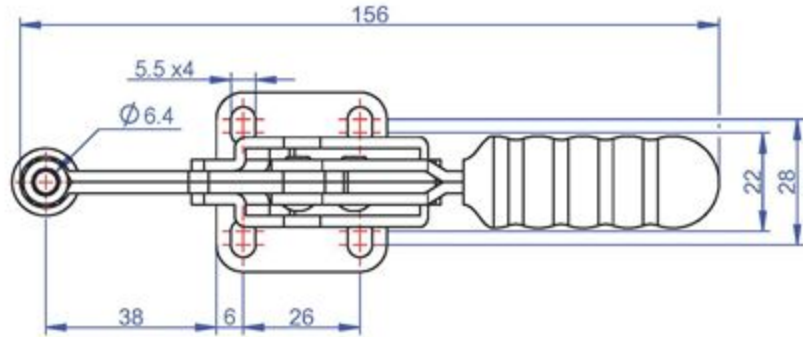
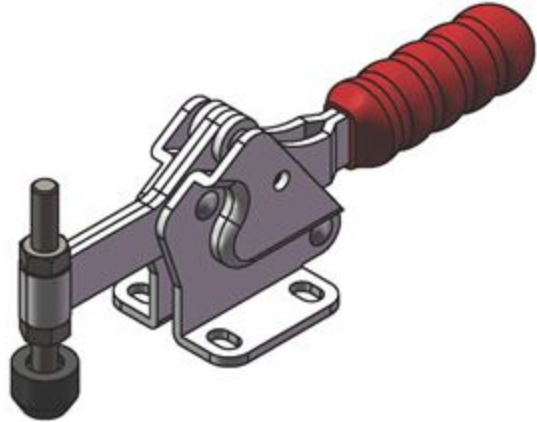
Good Hand UK Ltd

TITLE:

DWG NO. GH-21502-B

A4

Part No:	GH-21502-C
Holding Capacity:	150 Kg
Bar Opens:	93°
Handle Opens:	76°
Weight:	0.24 Kg
Spindle Supplied:	SA-065010+NC-06



Good Hand UK Ltd

Drawing Scale:1:1.5
Unit:mm

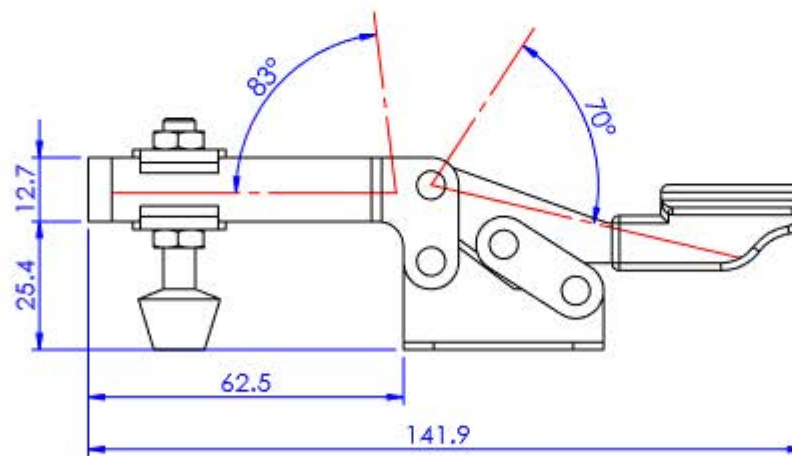
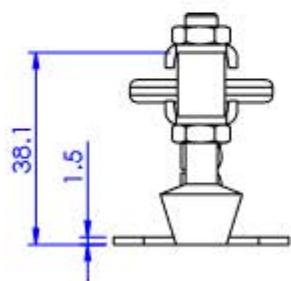
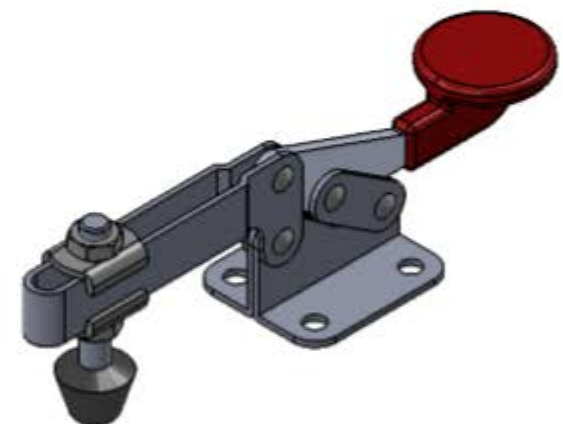
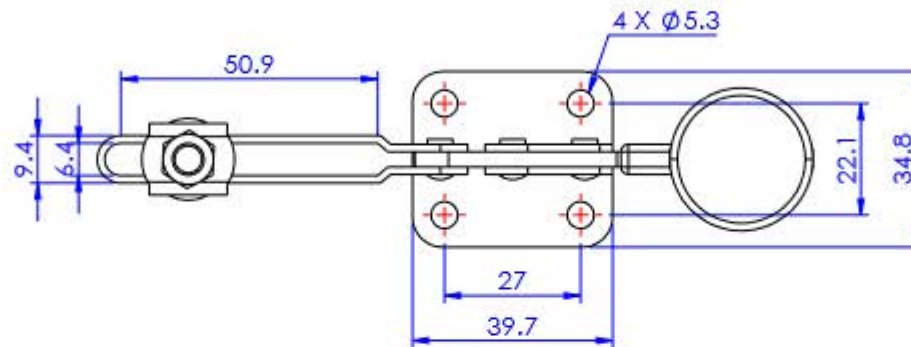
TITLE:

DWG NO.

GH-21502-C

A4

Part No:	GH-22100
Holding Capacity:	68Kg
Bar Opens:	83°
Handle Opens:	70°
Weight:	0.114Kg
Spindle Supplied:	FC-064410
Flanged Washers:	FW-140

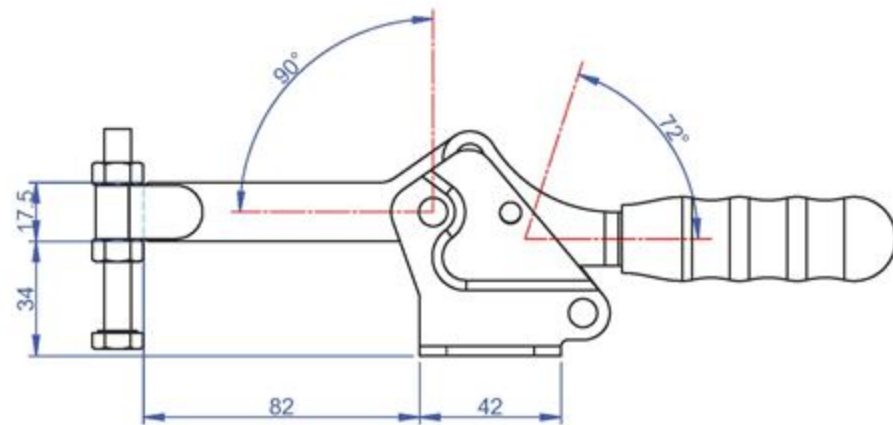
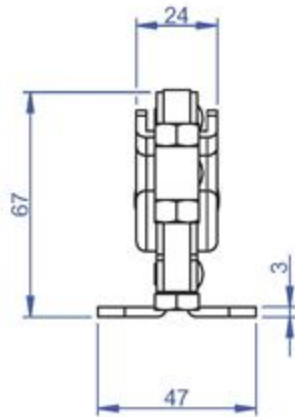
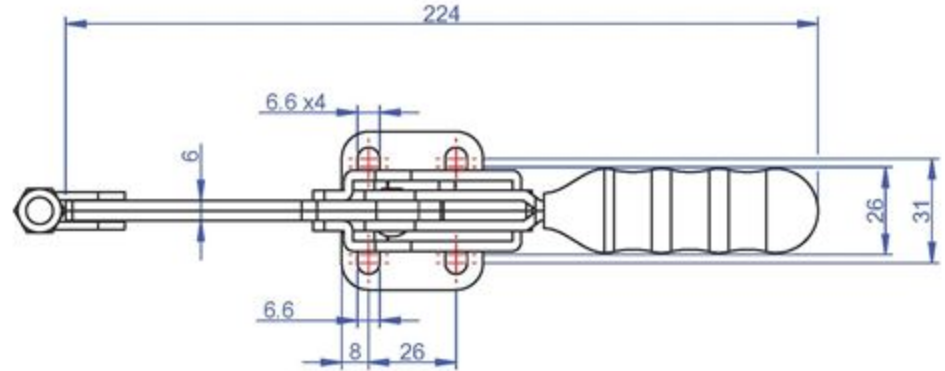
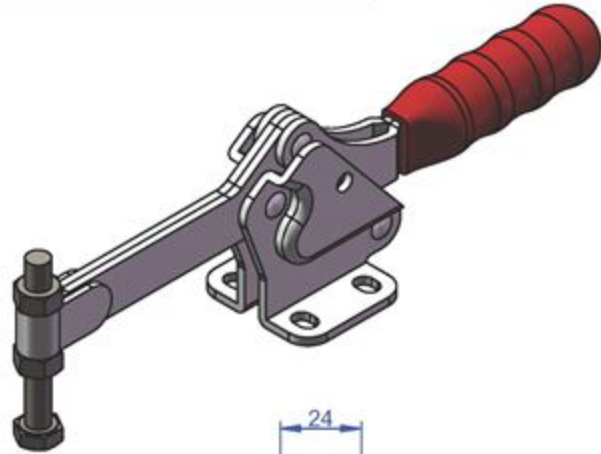


Unit:mm

Scale: 1:1.5

Good Hand UK Ltd	
TITLE:	
DWG NO.	GH-22100
	A4

Part No:	GH-22502-A
Holding Capacity:	250 Kg
Bar Opens:	90°
Handle Opens:	72°
Weight:	0.47 Kg
Spindle Supplied:	SA-086012
Bolt Retainer:	BR-516



Drawing Scale: 1:2
Unit: mm

Good Hand UK Ltd

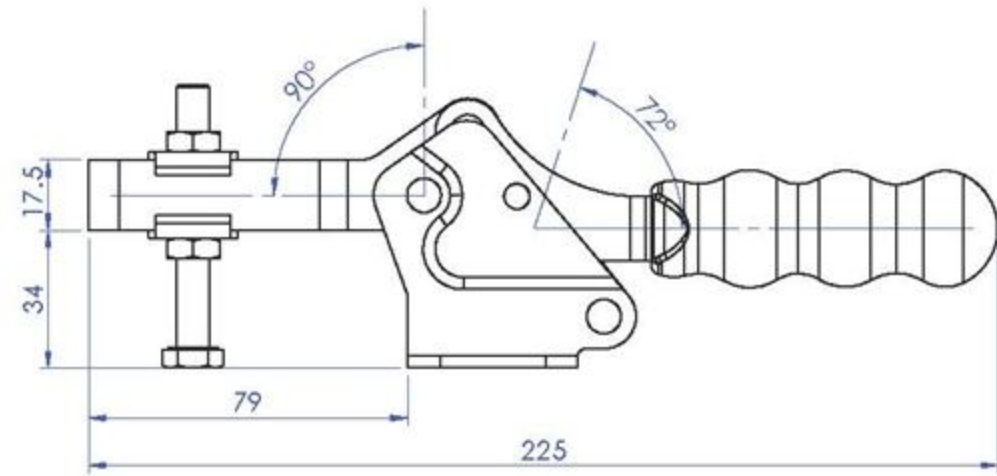
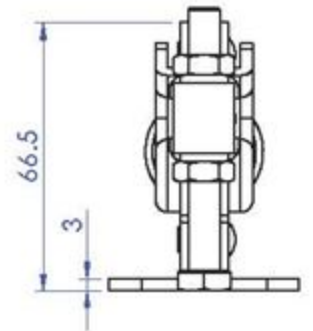
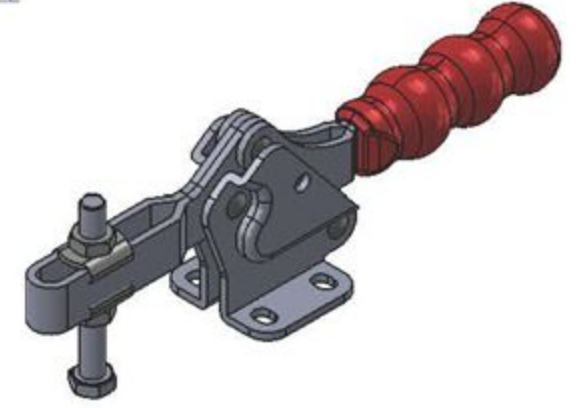
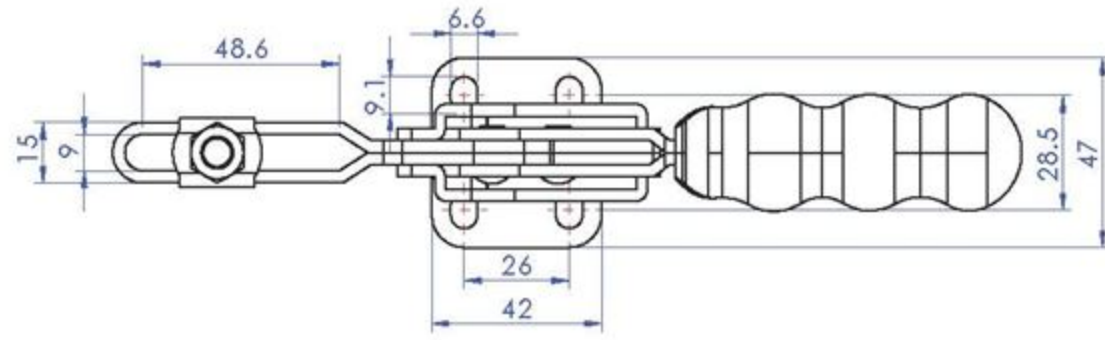
TITLE:

DWG NO.

GH-22502-A

A4

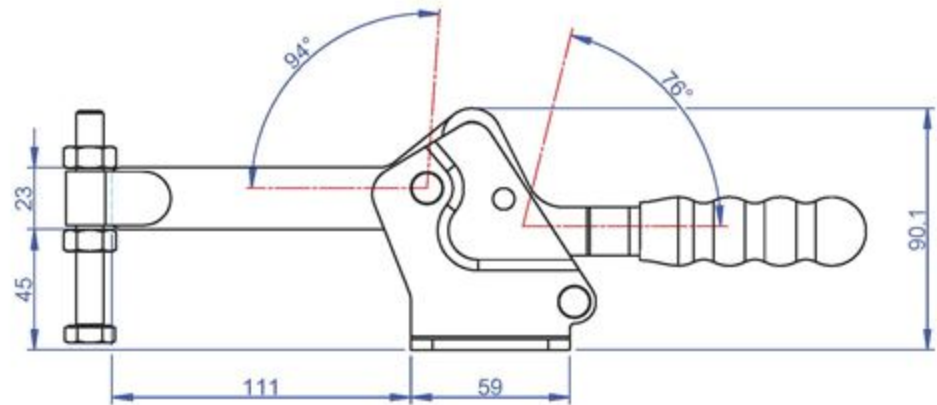
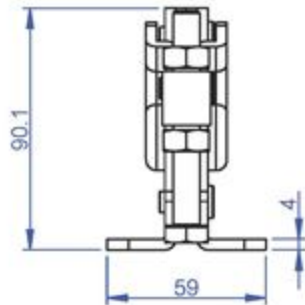
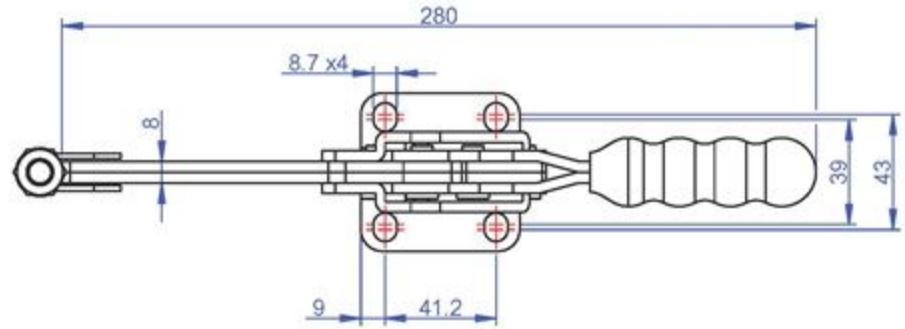
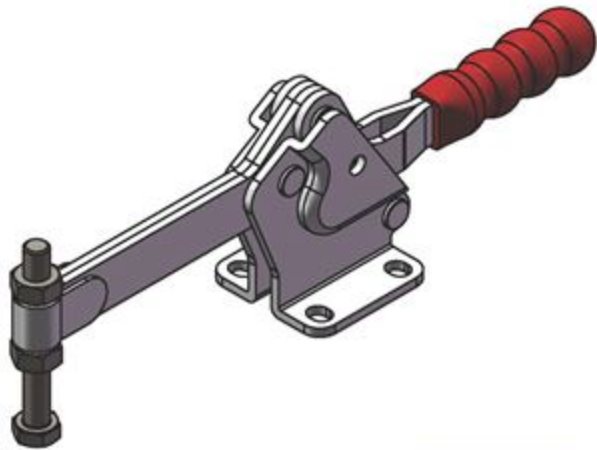
Part No:	GH-22502-B
Holding Capacity:	250Kg
Bar Opens:	90°
Handle Opens:	72°
Weight:	0.434Kg
Spindle Supplied:	SA-086512
Flanged Washers:	FW-516



Unit:mm
Scale: 1:2

Good Hand UK Ltd	
TITLE:	
DWG NO.	GH-22502-B
	A4

Part No:	GH-23502-A
Holding Capacity:	350 Kg
Bar Opens:	94°
Handle Opens:	76°
Weight:	0.98 Kg
Spindle Supplied:	SA-108015
Bolt Retainer:	BR-380



Good Hand UK Ltd

Drawing Scale:1:2.5
Unit:mm

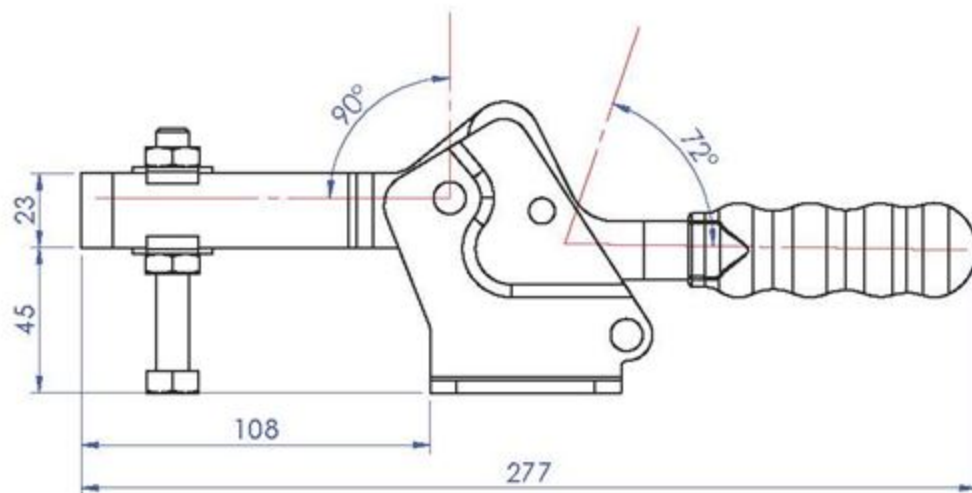
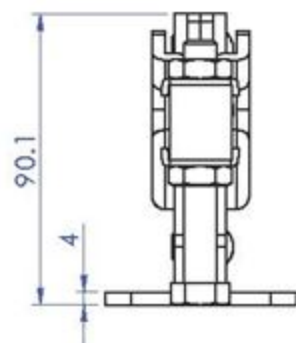
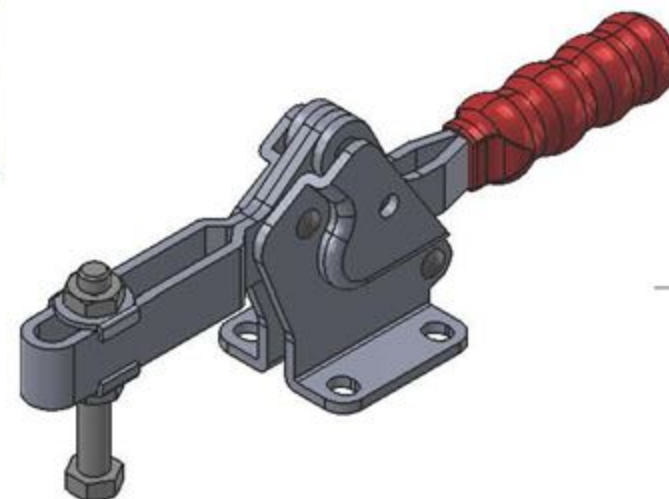
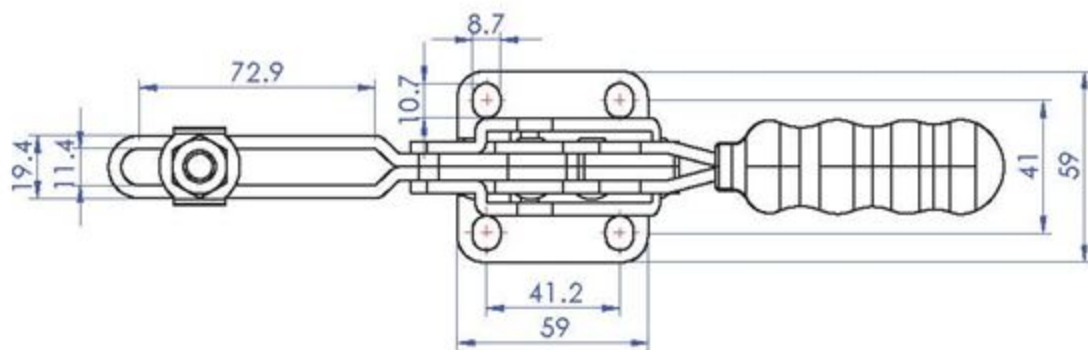
TITLE:

DWG NO.

GH-23502-A

A4

Part No:	GH-23502-B
Holding Capacity:	350Kg
Bar Opens:	90°
Handle Opens:	72°
Weight:	0.955Kg
Spindle Supplied:	SA-107515
Flanged Washers:	FW-380



Unit:mm
Scale: 1:2.5

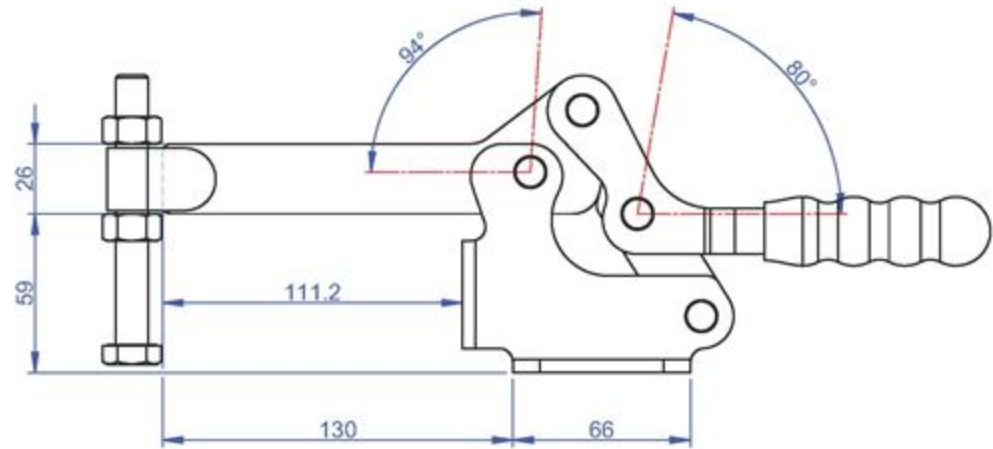
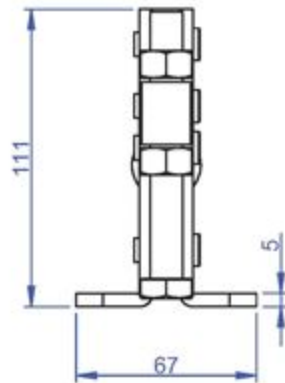
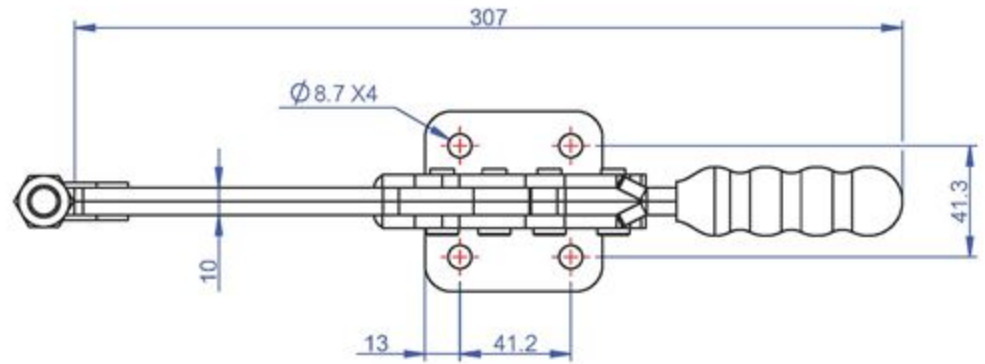
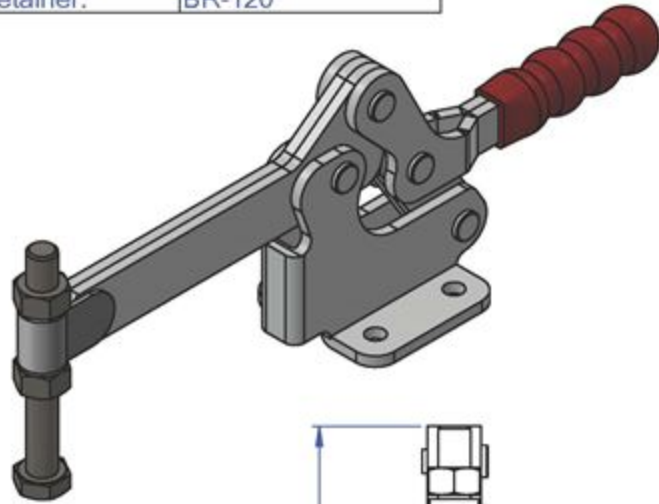
Good Hand UK Ltd

TITLE:

DWG NO. GH-23502-B

A4

Part No:	GH-24502-A
Holding Capacity:	450 Kg
Bar Opens:	94°
Handle Opens:	80°
Weight:	1.46 Kg
Spindle Supplied:	SA-121017
Bolt Retainer:	BR-120



Drawing Scale:1:2.5
Unit:mm

Good Hand UK Ltd

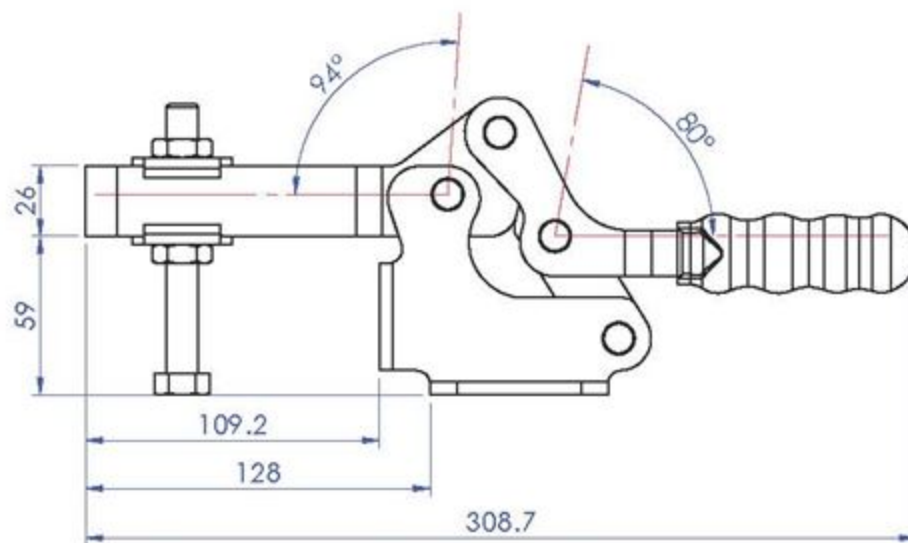
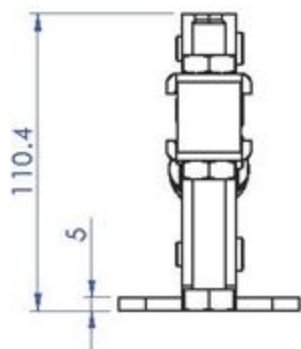
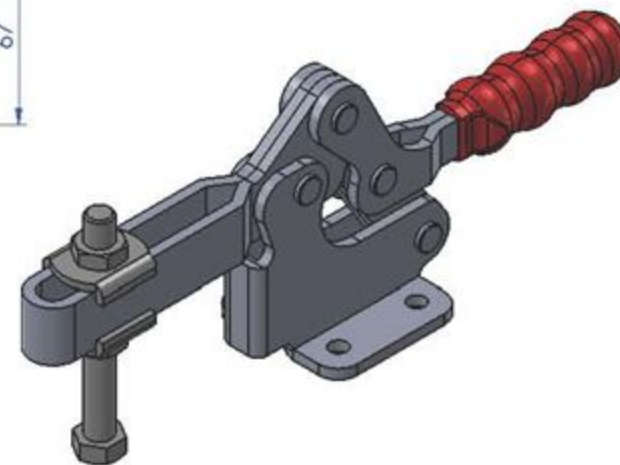
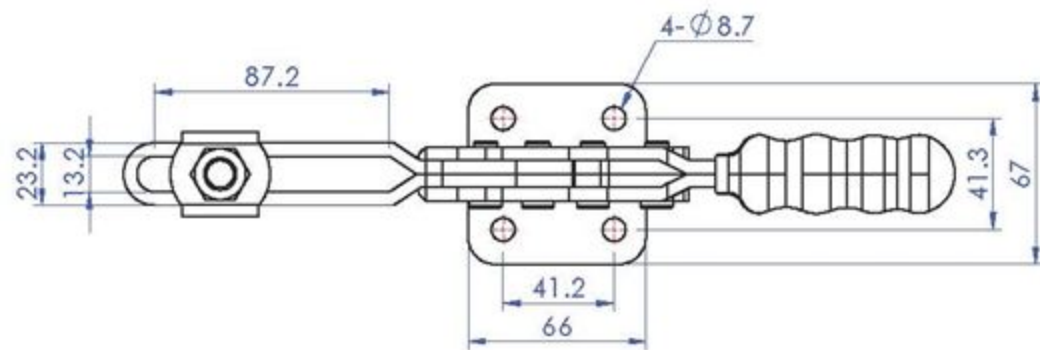
TITLE:

DWG NO.

GH-24502-A

A4

Part No:	GH-24502-B
Holding Capacity:	450Kg
Bar Opens:	94°
Handle Opens:	80°
Weight:	1.445Kg
Spindle Supplied:	SA-121017
Flanged Washers:	FW-120



Unit:mm
Scale: 1:3

Good Hand UK Ltd	
TITLE:	
DWG NO. GH-24502-B	A4