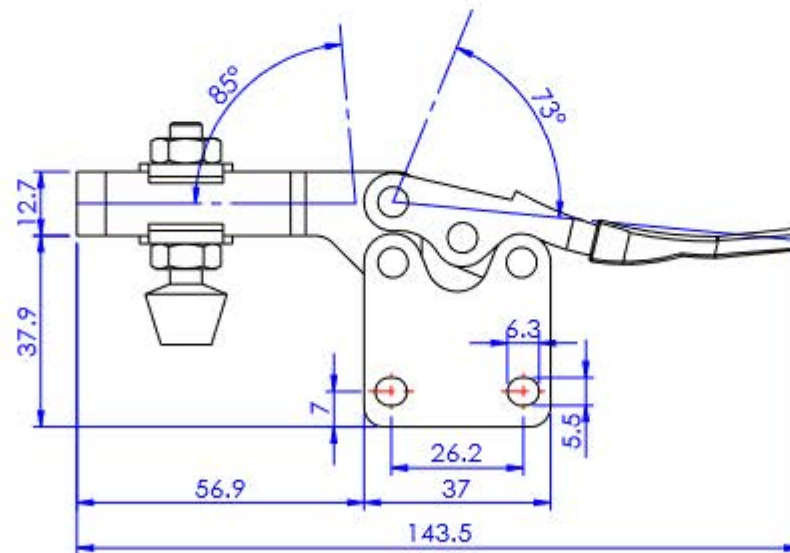
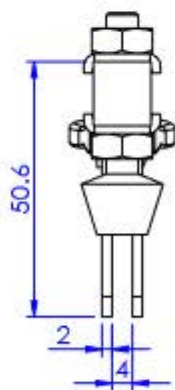
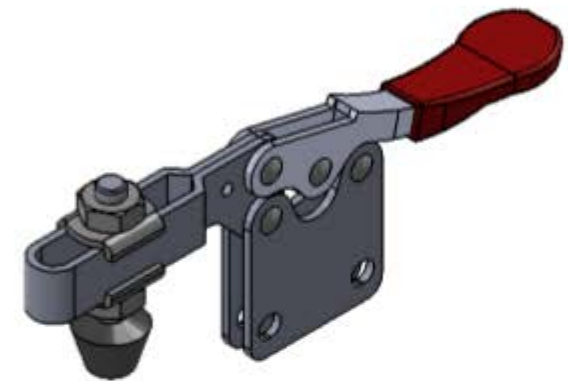
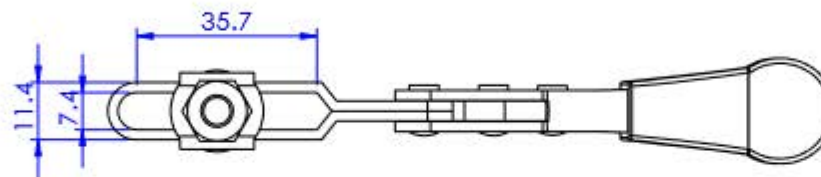


Part No:	GH-201-BI
Holding Capacity:	90Kg
Bar Opens:	85°
Handle Opens:	73°
Weight:	0.13Kg
Spindle Supplied:	FC-064410
Flanged Washers:	FW-140



Unit:mm
Scale: 1:1.5

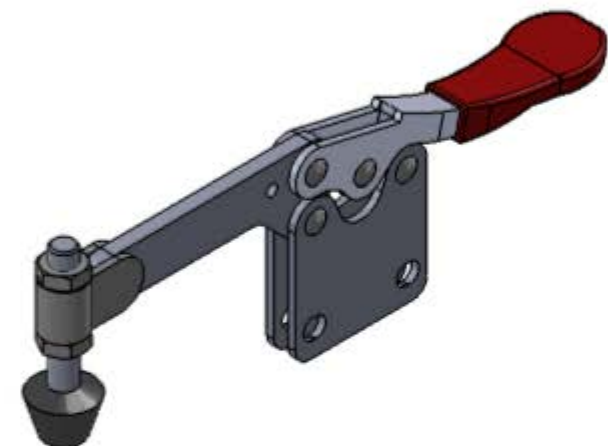
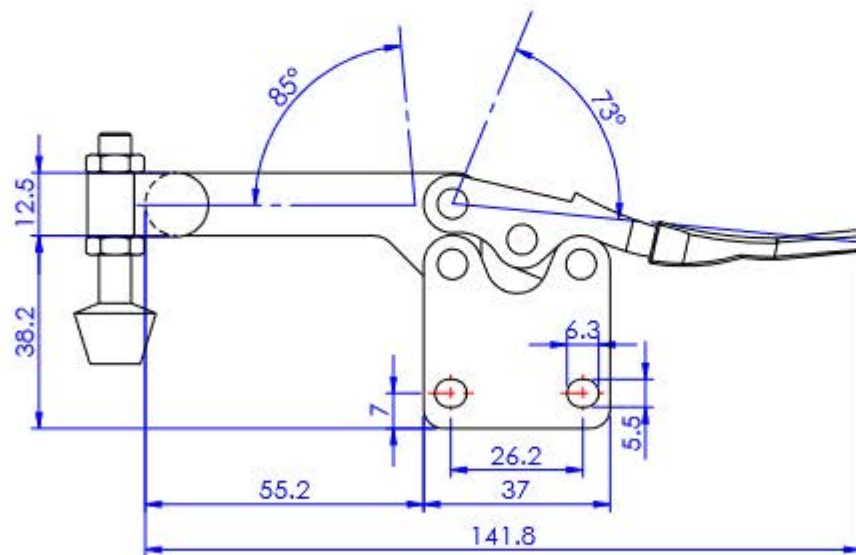
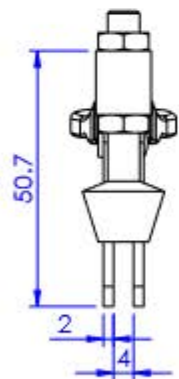
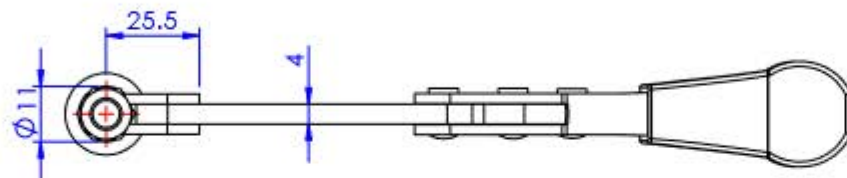
Good Hand UK Ltd

TITLE:

DWG NO. GH-201-BI

A4

Part No:	GH-201-BSI
Holding Capacity:	90Kg
Bar Opens:	85°
Handle Opens:	73°
Weight:	0.13Kg
Spindle Supplied:	FC-064410
Bolt Retainer:	BR-140



Unit:mm

Scale: 1:1.5

Good Hand UK Ltd

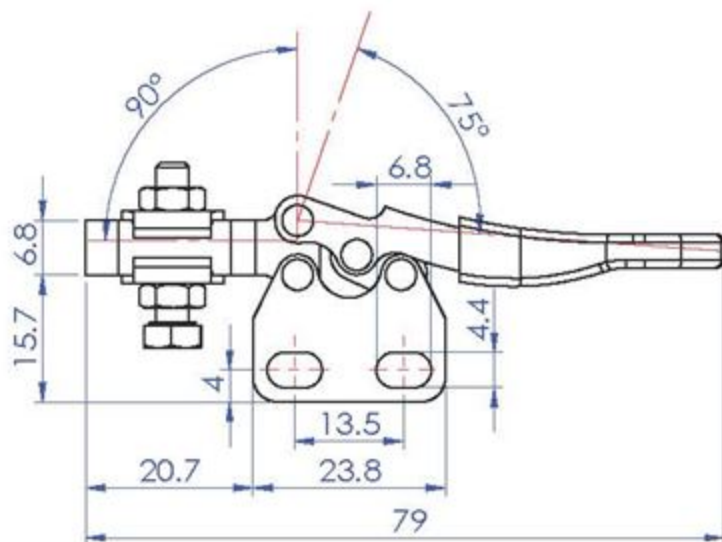
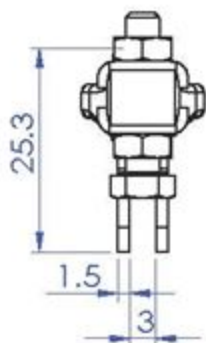
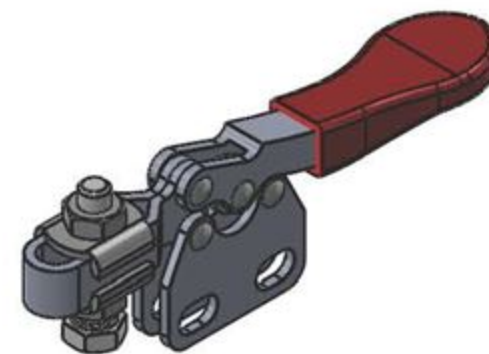
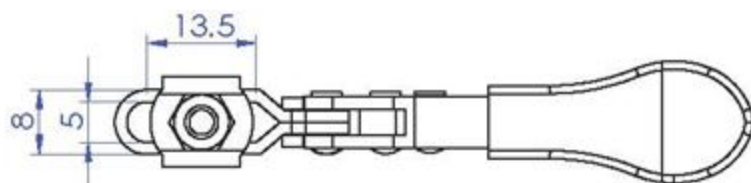
TITLE:

DWG NO.

GH-201-BSI

A4

Part No:	GH-201-I
Holding Capacity:	27Kg
Bar Opens:	90°
Handle Opens:	75°
Weight:	0.03Kg
Spindle Supplied:	SA-08034(Nylon)
Flanged Washers:	FW-080



Unit:mm
Scale: 1:1

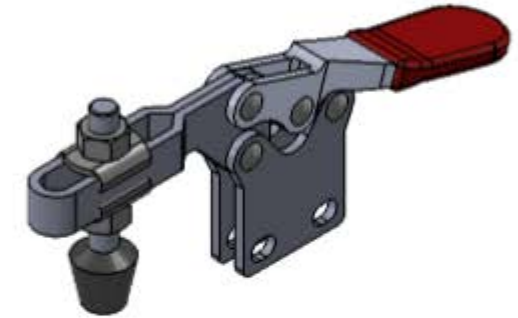
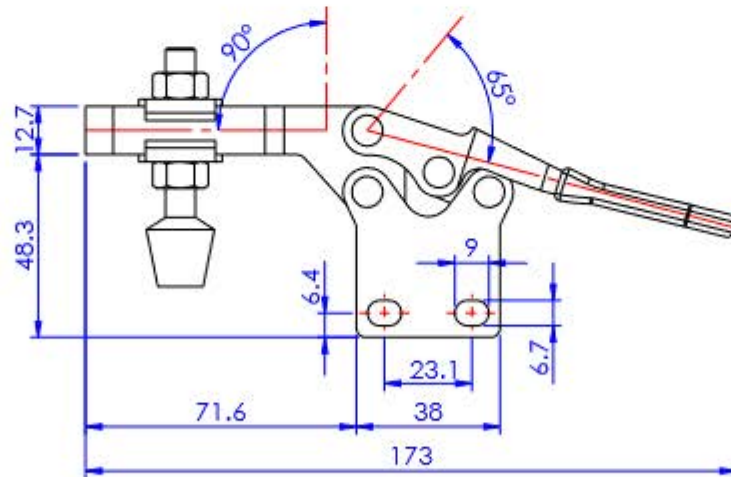
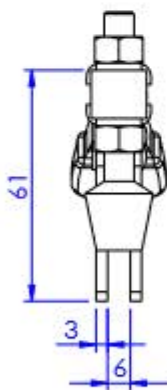
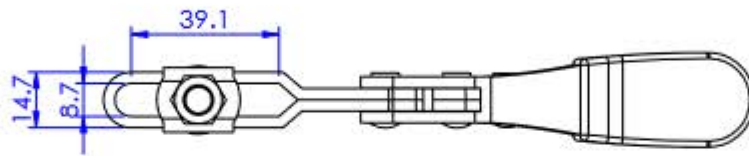
Good Hand UK Ltd

TITLE:

DWG NO. GH-201-I

A4

Part No:	GH-225-DI
Holding Capacity:	227Kg
Bar Opens:	90°
Handle Opens:	65°
Weight:	0.26Kg
Spindle Supplied:	FC-086312
Flanged Washers:	FW-516



Unit:mm
Scale: 1:2

Good Hand UK Ltd

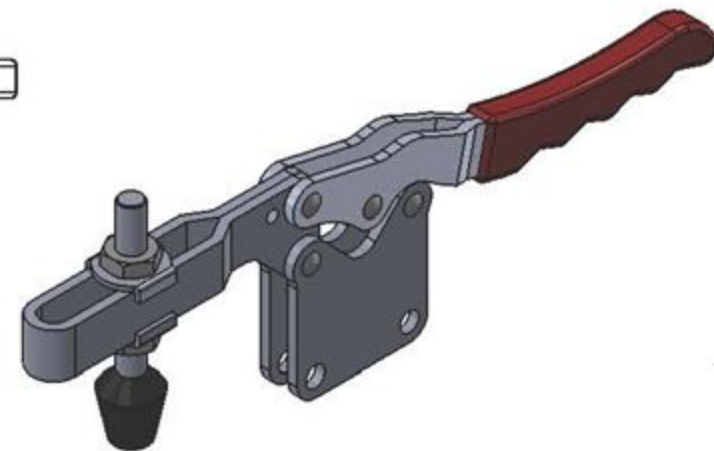
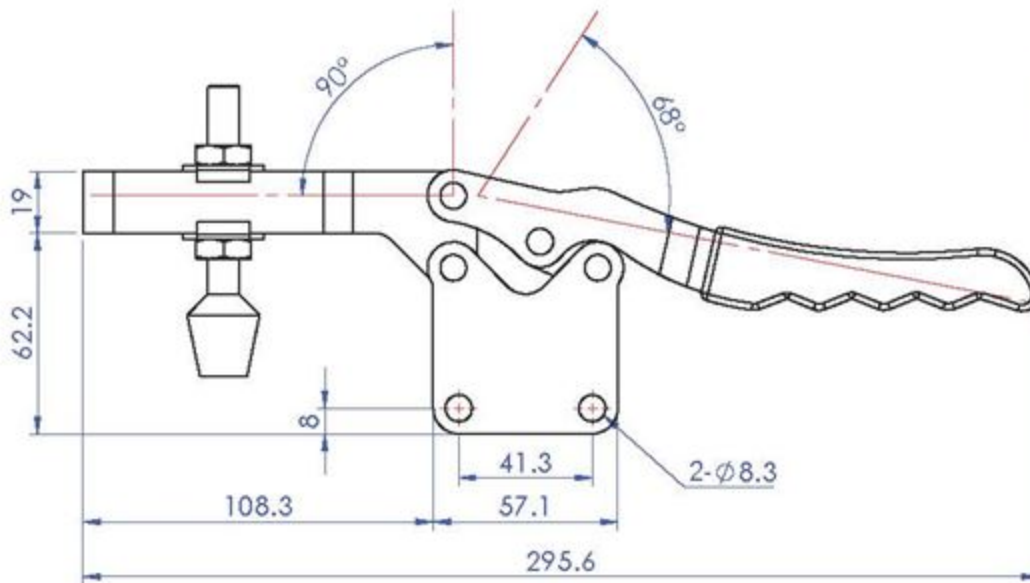
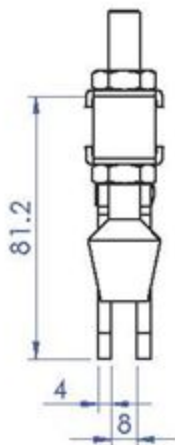
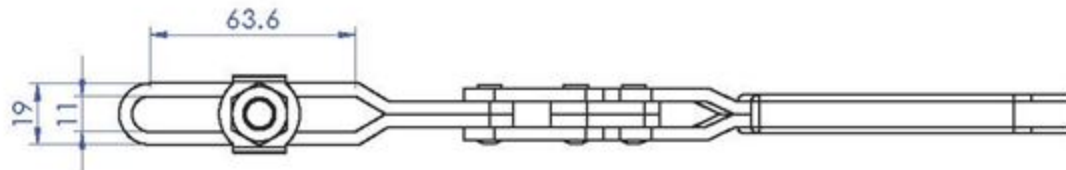
TITLE:

DWG NO.

GH-225-DI

A4

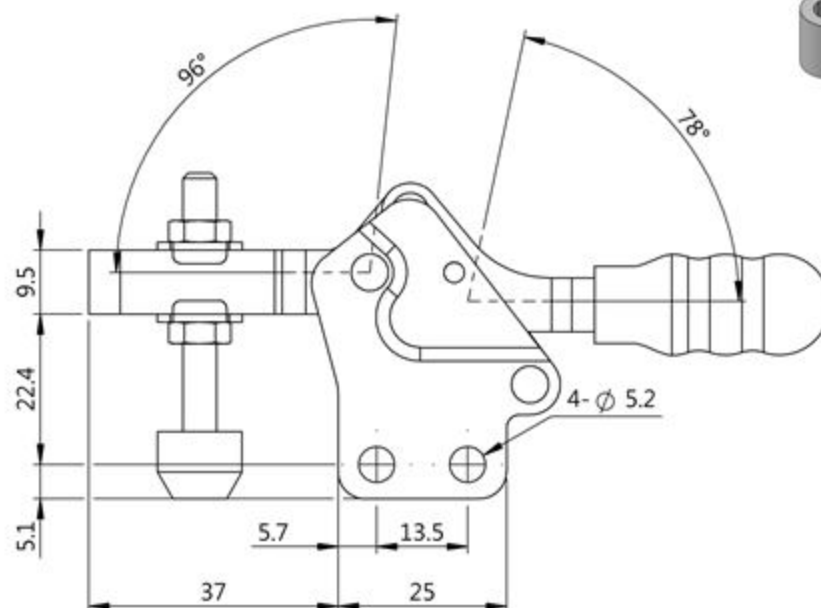
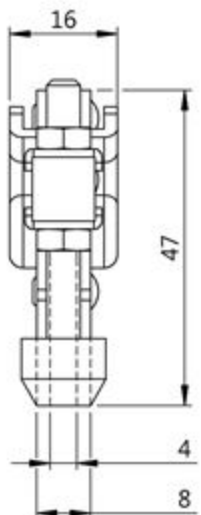
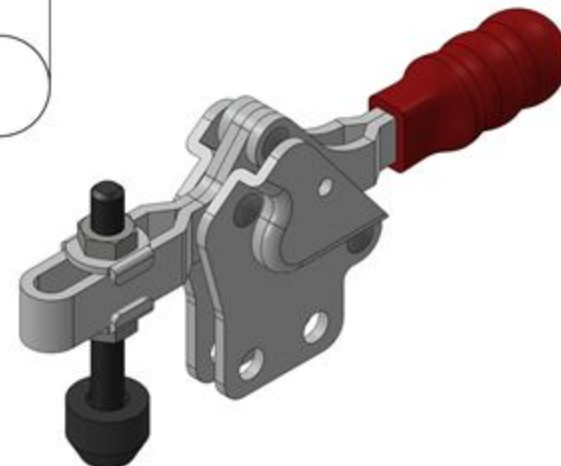
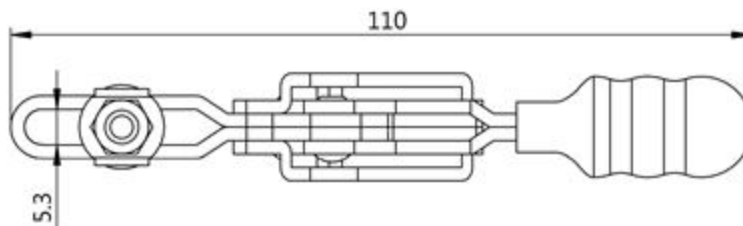
Part No:	GH-20236
Holding Capacity:	340Kg
Bar Opens:	90°
Handle Opens:	68°
Weight:	0.61Kg
Spindle Supplied:	FC-38312
Flanged Washers:	FW-380




Unit:mm
Scale : 1:2.5

Good Hand UK Ltd	
TITLE:	
DWG NO.	GH-20236
	A4

Part No:	GH-20751-B
Holding Capacity:	75 Kg
Bar Opens:	96
Handle Opens:	78
Weight:	0.091 Kg
Spindle Supplied:	SA-054008+NC-05
Flanged Washers:	FW-100

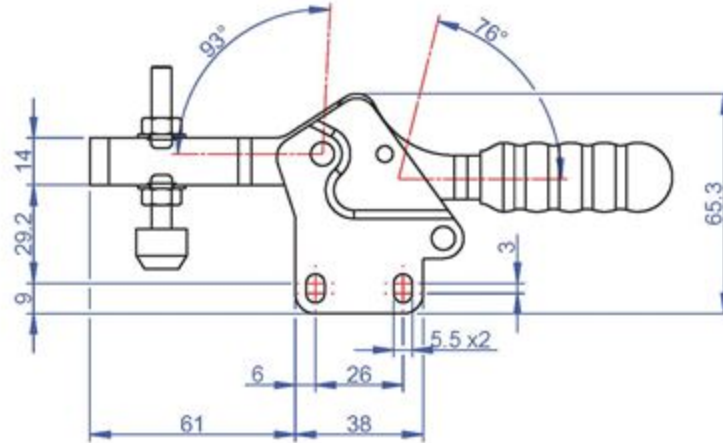
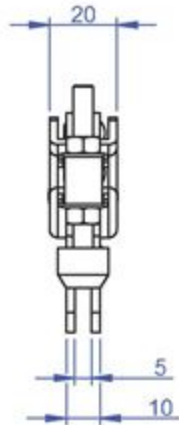
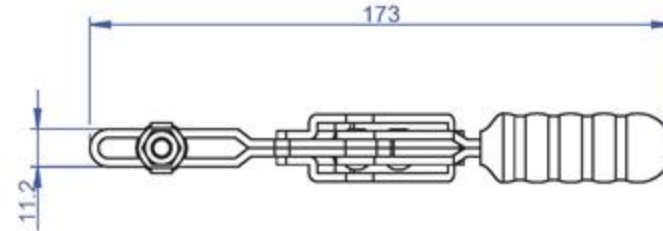
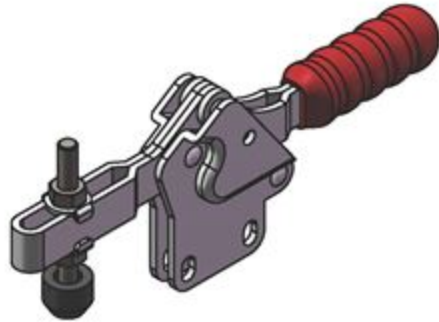


Drawing Scale:1:1
Unit:mm

 **Good Hand Enterprise Co., Ltd**

TITLE:	
DWG NO.	GH-20751-B
	A4

Part No:	GH-21501-B
Holding Capacity:	150 Kg
Bar Opens:	93°
Handle Opens:	76°
Weight:	0.245 Kg
Spindle Supplied:	SA-065010+NC-06
Flanged Washers:	FW-140



Good Hand UK Ltd

Drawing Scale: 1:2
Unit: mm

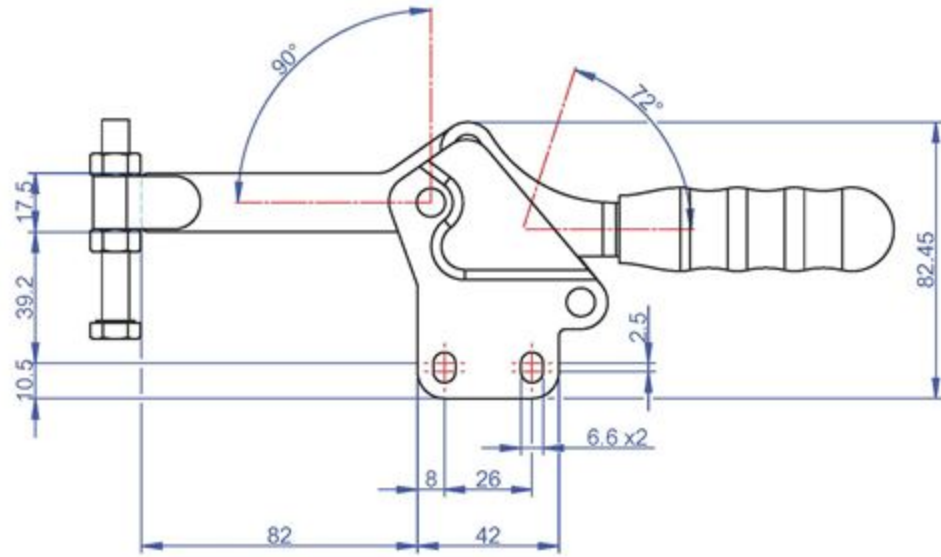
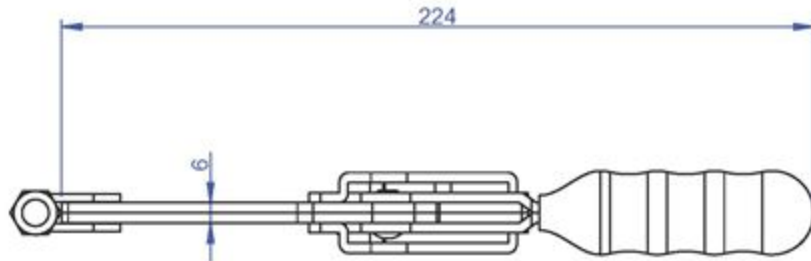
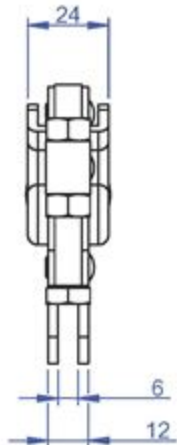
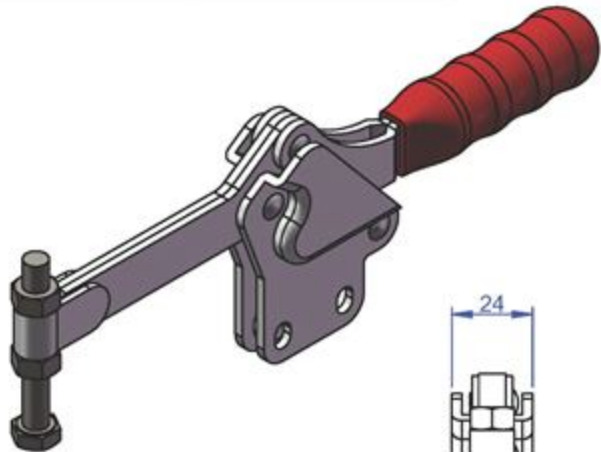
TITLE:

DWG NO.

GH-21501-B

A4

Part No:	GH-22501-A
Holding Capacity:	250 Kg
Bar Opens:	90°
Handle Opens:	72°
Weight:	0.47 Kg
Spindle Supplied:	SA-086012
Bolt Retainer:	BR-516

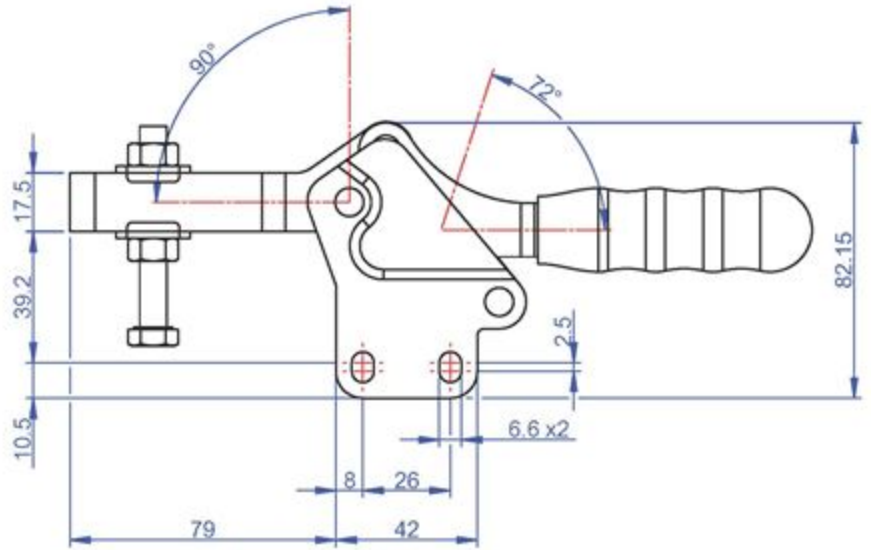
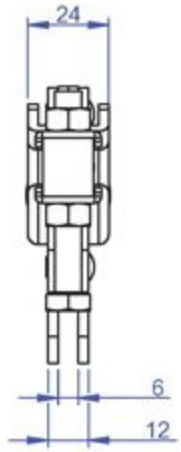
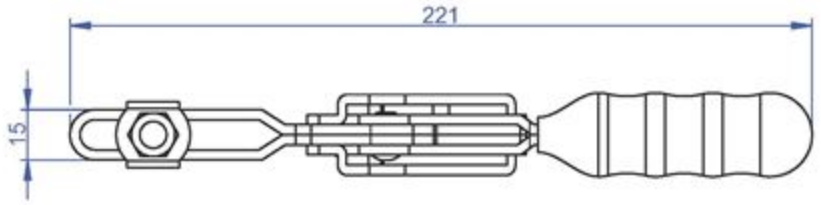
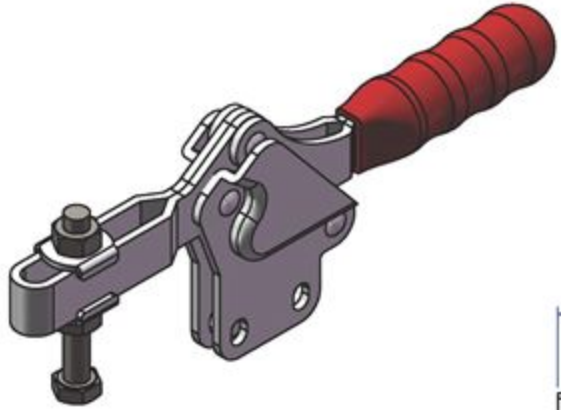


Good Hand UK Ltd

Drawing Scale: 1:2
Unit: mm

TITLE:		
DWG NO.	GH-22501-A	A4

Part No:	GH-22501-B
Holding Capacity:	250 Kg
Bar Opens:	90°
Handle Opens:	72°
Weight:	0.46 Kg
Spindle Supplied:	SA-086012
Flanged Washers:	FW-516

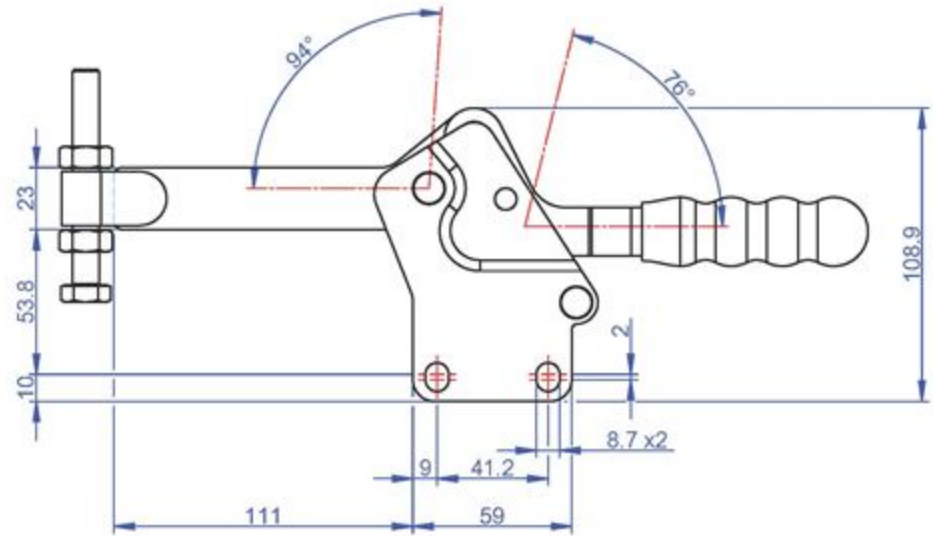
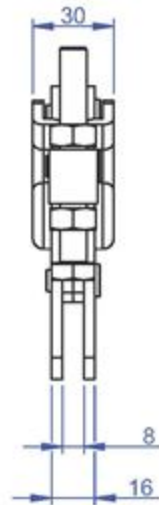
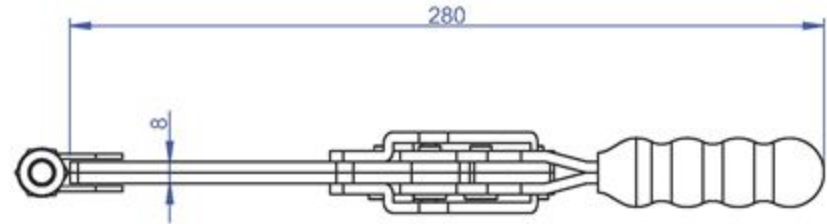
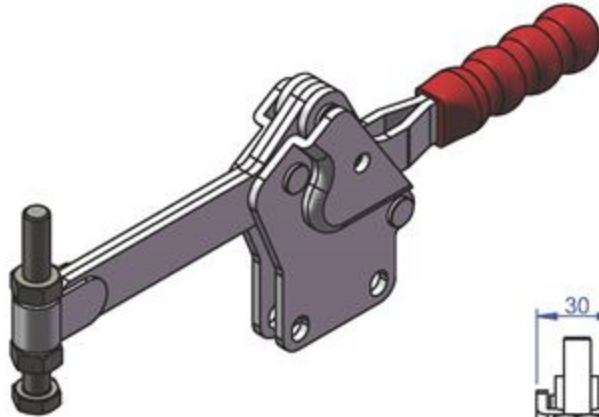


Good Hand UK Ltd

Drawing Scale: 1:2
Unit: mm

TITLE:		
DWG NO.	GH-22501-B	A4

Part No:	GH-23501-A
Holding Capacity:	350 Kg
Bar Opens:	94°
Handle Opens:	76°
Weight:	0.97 Kg
Spindle Supplied:	SA-108015
Bolt Retainer:	BR-380



Good Hand UK Ltd

Drawing Scale:1:2.5
Unit:mm

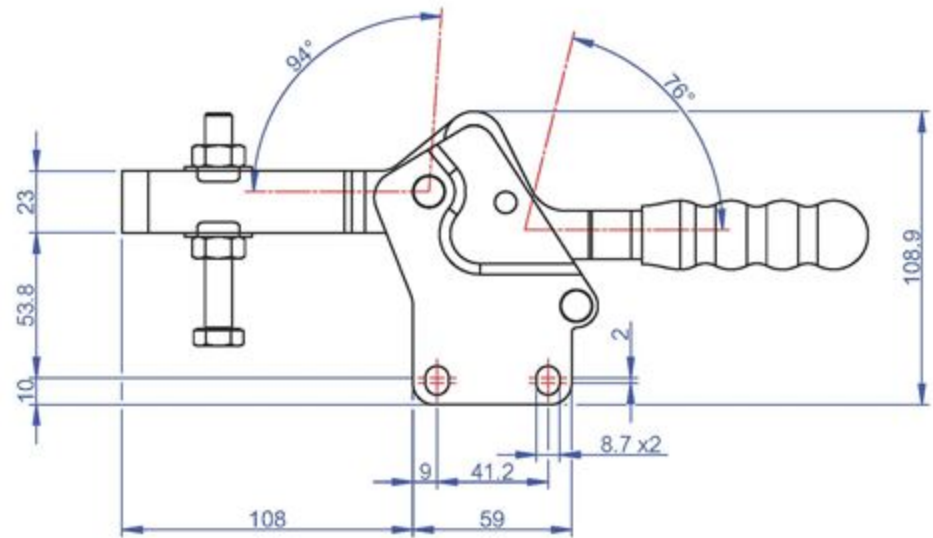
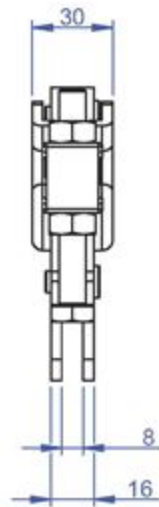
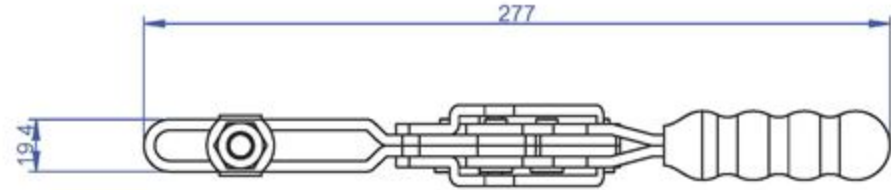
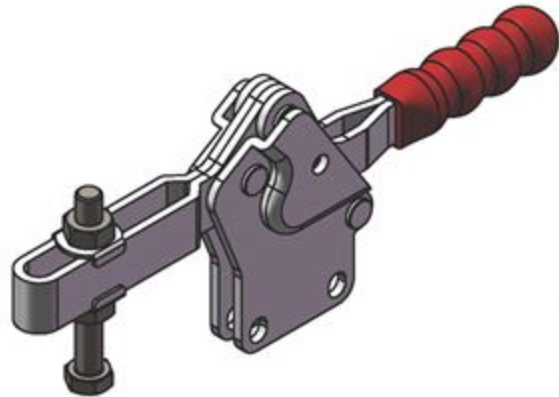
TITLE:

DWG NO.

GH-23501-A

A4

Part No:	GH-23501-B
Holding Capacity:	350 Kg
Bar Opens:	94°
Handle Opens:	76°
Weight:	0.95 Kg
Spindle Supplied:	SA-108015
Flanged Washers:	FW-380



Good Hand UK Ltd

Drawing Scale:1:2.5
Unit:mm

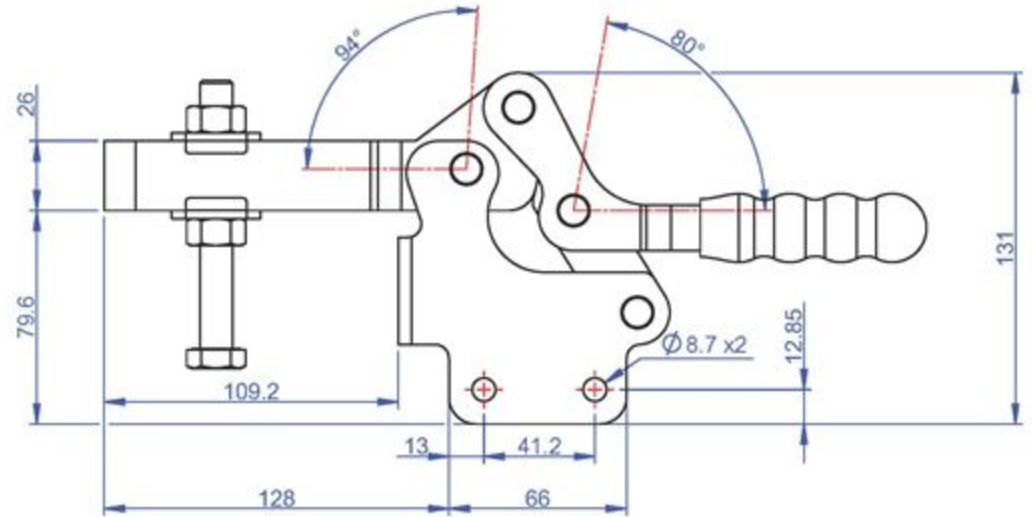
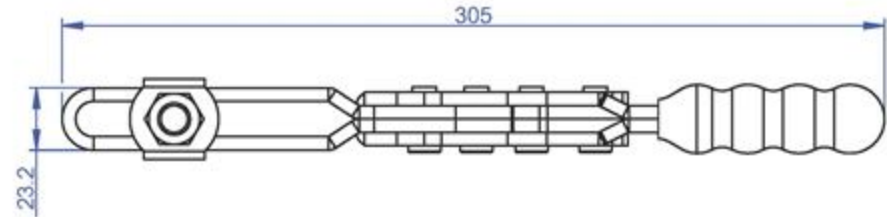
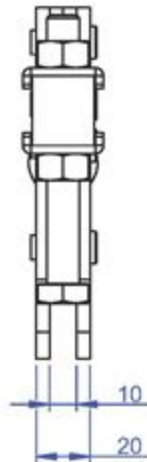
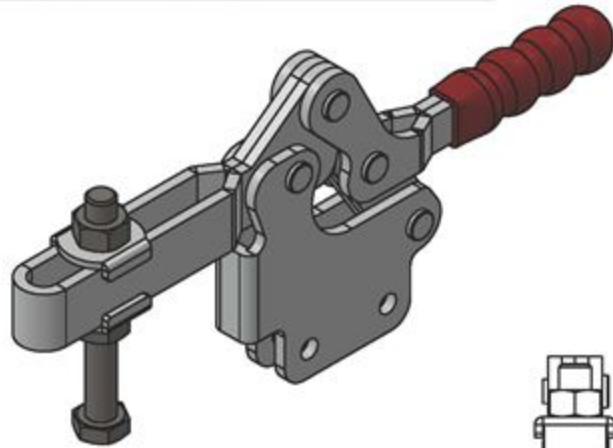
TITLE:

DWG NO.

GH-23501-B

A4

Part No:	GH-24501-B
Holding Capacity:	450 Kg
Bar Opens:	94°
Handle Opens:	80°
Weight:	1.46 Kg
Spindle Supplied:	SA-121017
Flanged Washers:	FW-120



Good Hand UK Ltd

Drawing Scale:1:2.5
Unit:mm

TITLE:

DWG NO.

GH-24501-B

A4